

TAP 115 & SAP 115

Nylon oil filler and air breather filler cap



TAP 115 GENERAL INFORMATION

Technical data

Air breathers & Filler plugs

Nylon oil filler and air breather filler cap Flow rate up to 2150 l/min

TAP115 is a range of plastic large air breathers and filler caps for protection of the tank against the solid contamination contained into the air and filling of the fluid into the systems during the commissioning and maintenance procedures.

They are usually directly fitted on the tank.

Available features:

- Flanged connection, for a maximum flow rate of 2150 l/min
- Replaceable filter element.
- Fine cellulose and microfibre filtration, to get a good cleanliness level into the reservoir. Polyester media is an option for heavy environmental conditions (High humidity, sand)
- Visual clogging indicator
- Filling basket, to hold the coarse contamination contained into the fluid and to diffuse the fluid flow into the tank

Common applications:

- Hydraulic systems
- Mobile machines
- Industrial equipment

Flow rate Δp 0.02 bar

	Flow rate [l/min]	
	Filtration rating A03	L10
TAP115 length 1	1600	2000
TAP115 length 2	2150	2150

Materials

- Cover/flange: Nylon
- Filter element: Microfibre, Resin impregnate paper
- Seals: NBR, FPM
- Basket/screws: Galvanized steel

Clogging indicators

- Manual reset
- Set pressure 0.062 bar +/- 10%

Temperature

From -25 °C to +100 °C

Weight	Length 1	Length 2
TAP 115	0.46 kg	0.585 kg



Designation & Ordering code

COMPLETE BREATHER PLUG - TAP115

Series and size	Configuration example: TAP115 2 F A03 A 1 A P01								
TAP115 Screwed flange connection									
Length	1	2							
Connection to the tank	F		Flange						
Filtration rating	A03	Inorganic microfiber	3 µm	L10	Polyurethane	10 µm			
Seals	A	NBR							
V	FPM								
Version	1	With basket							
Clogging indicator	A	Without indicator							
B	With visual clogging indicator								
								Execution	
								P01	MP Filtri standard
								Pxx	Customized

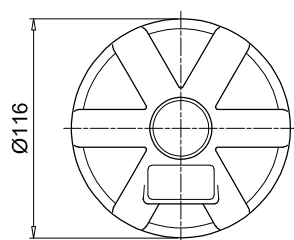
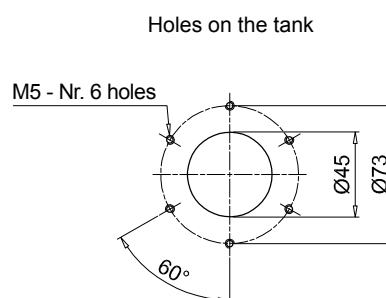
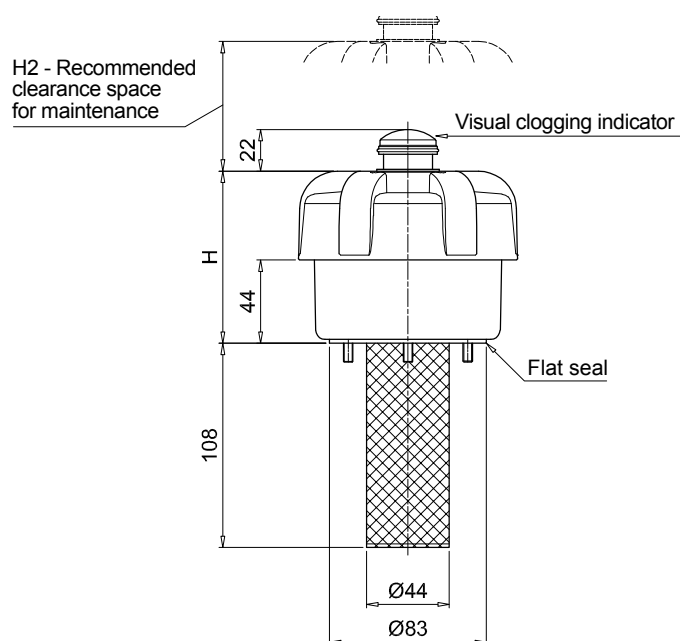
FILTER ELEMENT

Filter element series and size	Configuration example: A115 2 A03 P01							
A115								
Length	1	2						
Filtration rating	A03	Inorganic microfiber	3 µm	L10	Polyurethane	10 µm		
								Execution
								P01
								Pxx

TAP 115

Dimensions

TAP115		
Length	H [mm]	H2 [mm]
1	91	55
2	155	80



Technical data

Air breathers & Filler plugs

Nylon oil filler and air breather filler cap

Flow rate up to 3000 l/min

SAP115 is a range of plastic large air breathers for protection of the tank against the solid contamination contained into the air. They are usually directly fitted on the tank.

Available features:

- Male threaded connections up to 1 1/2", for a maximum flow rate of 3000 l/min.
- Replaceable filter element.
- Fine cellulose and microfibre filtration, to get a good cleanliness level into the reservoir. Polyester media is an option for heavy environmental conditions (High humidity, sand ...)
- Visual clogging indicator
- Antisplash, to avoid fluid coming out through the air breather due to sloshing
- Visual clogging indicator
- Filling basket, to hold the coarse contamination contained into the fluid and to diffuse the fluid flow into the tank

Common applications:

- Hydraulic systems
- Mobile machines
- Industrial equipment

Flow rate Δp 0.02 bar

	Flow rate [l/min]	
	Filtration rating A03	L10
SAP115 length 1 - G1"	1830	2170
SAP115 length 2 - G1"	2800	2800
SAP115 length 1 - G1 1/2"	1995	2330
SAP115 length 2 - G1 1/2"	3000	3000

Materials

- Cover/flange: Nylon
- Filter element: Microfibre, Resin impregnate paper
- Connection: Nylon
- Seals: NBR, FPM

Clogging indicators

- Manual reset
- Set pressure 0.062 bar +/- 10%

Temperature

From -25 °C to +100 °C

Weight	Length 1	Length 2
SAP 115	0.41 kg	0.525 kg



Designation & Ordering code

COMPLETE BREATHER PLUG - SAP115

Series and size	Configuration example: SAP115 2 A A03 A 1 A P01								
SAP115 Threaded connection									
Length	1	2							
Connection to the tank	A								
A Thread G 1"									
C Thread G 1 1/2"									
Filtration rating	A03		L10						
A03 Inorganic microfiber 3 µm									
L10 Polyuretane 10 µm									
Seals	A								
A NBR									
Version	0								
0 Standard									
1 With anti-splash feature									
Clogging indicator	A								
A Without indicator									
B With visual clogging indicator									
Execution	P01								
P01 MP Filtri standard									
Pxx Customized									

FILTER ELEMENT

Filter element series and size	Configuration example: A115 2 A03 P01			
A115				
Length	1	2		
Filtration rating	A03		L10	
A03 Inorganic microfiber 3 µm				
L10 Polyuretane 10 µm				
Execution	P01			
P01 MP Filtri standard				
Pxx Customized				

SAP115							
Length	Connection	H [mm]	H1 [mm]	H2 [mm]	H3 [mm]	H4 [mm]	A/F [mm]
1	A	106	18	55	17	42	41
	C	111	23	55	22	42	55
2	A	170	18	80	17	106	41
	C	175	23	80	22	106	55

