

SVM series

Gauge isolator valves



SVM GENERAL INFORMATION

Technical data

Gauge isolator valves

Gauge isolator valves are designed to protect pressure gauges from pressure shocks when the pressure reading is not required; after each reading setting the selector to the closed position serves to depressurise the pressure gauge by means of the T fitting connected to the reservoir.

3 and 6-way pressure gauge selectors perform the same function as the gauge isolator valves, allowing pressure values from different parts of the system to be read using a single pressure gauge.

Working instructions:

- Knob not pressed: pressure gauge isolated
- Knob pressed: pressure gauge reading
- Knob pressed and turned: the knob remains in position and pressure gauge measures pressure continuously.
- To isolate the pressure gauge from pressure reading, turn the button until it returns to the not pressed position.

Materials

- Body: Cast iron
- Pin: Steel
- Seals: NBR, FPM
- Cover: Anodized aluminium
- Flange: Anodized aluminium
- Knob: Nylon
- Ringnut: Nylon
- Nut-screw: Galvanized steel, Phosphatized steel
- Pin: Steel

Operating pressure

400 bar

Operating temperature

From -25 °C to + 100 °C

Weight

SVM length 3 1.547 kg

SVM length 6 1.507 kg

Quantity

25 pcs/pack



Designation & Ordering code

SVM

Series and size

SVM

Configuration example : SVM 3 G1 A P01

Version

3 Nr. 3 pressure ports

6 Nr. 6 pressure ports

Connection

G1 G 1/4"

G2 1/4" NPT

G3 SAE 5 - 1/2" - 20 UNF

Seals

A NBR

V FPM

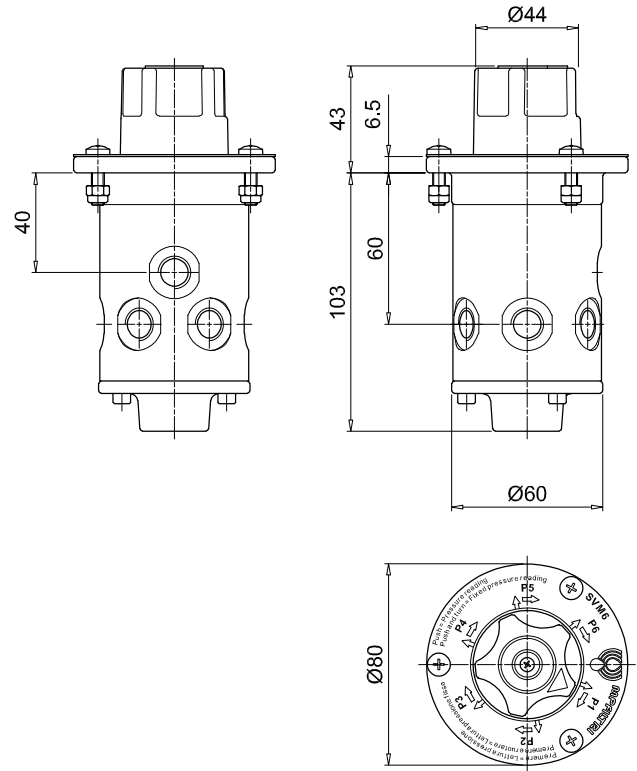
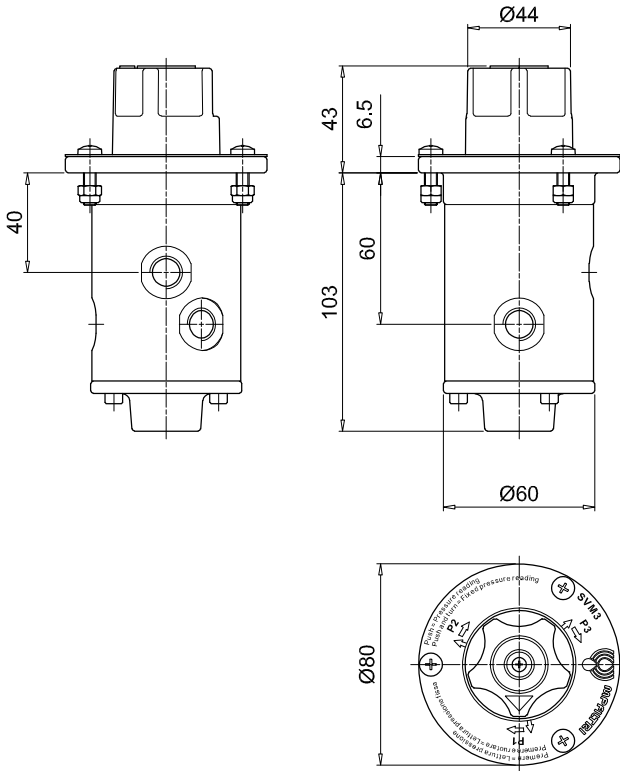
Execution

P01 MP Filtri standard

Pxx Customized

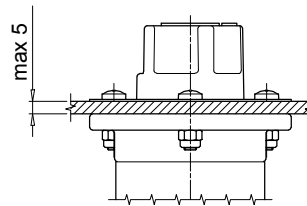
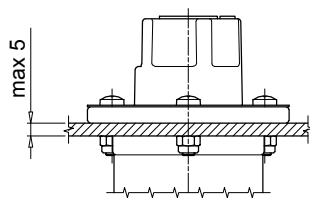
SVM
version 3

SVM
version 6



External mount

Internal mount



Holes on the panel

