

# SAW 115 series

Moisture control desiccant air breather



# SAW 115 GENERAL INFORMATION

## Technical data

### Air breathers & Filler plugs

#### Moisture control desiccant air breather

#### Max air flow up to 453 l/min

SAW is a range of desiccant breathers; they are products that combine the filtration of the solid contamination and the absorption of the free water contained into the air.

They are usually directly fitted on the tank; the filter layers remove the solid contamination while the desiccant agent holds the moisture contained in the air that enters into the tank as result of the tank breathing.

While in service or during shut-down, the desiccant agent dries the equipment, absorbing moisture from the reservoir.

#### Available features:

- Male threaded connections up to 1", for a maximum flow rate of 453 l/min
- Fine filtration rating, to get a good cleanliness level into the reservoir

#### Common applications:

Hydraulic systems, oil storage, tanks, transformers, renewable energy, Gearboxes.

#### Chemical Compatibility

Recommended:

- All Gear Oil
- Most Hydraulic Fluid
- Mineral and Synthetic Oil

Not Recommended:

- Phosphate Ester
- Hydrogen Sulphide
- Sulphuric Acid
- High Alkaline Cleaner

#### Flow rate $\Delta p$ 0.02 bar

	Flow rate [l/min]
Filtration rating	03
<b>SAW115</b>	453

#### Materials

Connection: Nylon  
Internal Support Pipe: Nylon  
Screen: Polycarbonate  
Cover: Nylon  
Dryer Agent: Silica Gel

**Filter Efficiency** 3 $\mu$ m absolute ( $B_3 \geq 200$ )

**Seals** NBR

**Temperature** From -25 °C to +90 °C

#### Humidity Level Below Ambient Conditions

SAW115G03A00P01 : protects 30,000+ cycles

Deliquescent: Protects 5,000 cycles  
(Testing parameters 23 °C, 30 l/min)

#### Silica Gel Weight

Lenght 1: 0.32 kg

Lenght 2: 0.56 kg

Lenght 3: 0.84 kg

#### Total Weight

Lenght 1: 0.60 kg

Lenght 2: 0.90 kg

Lenght 3: 1.20 kg



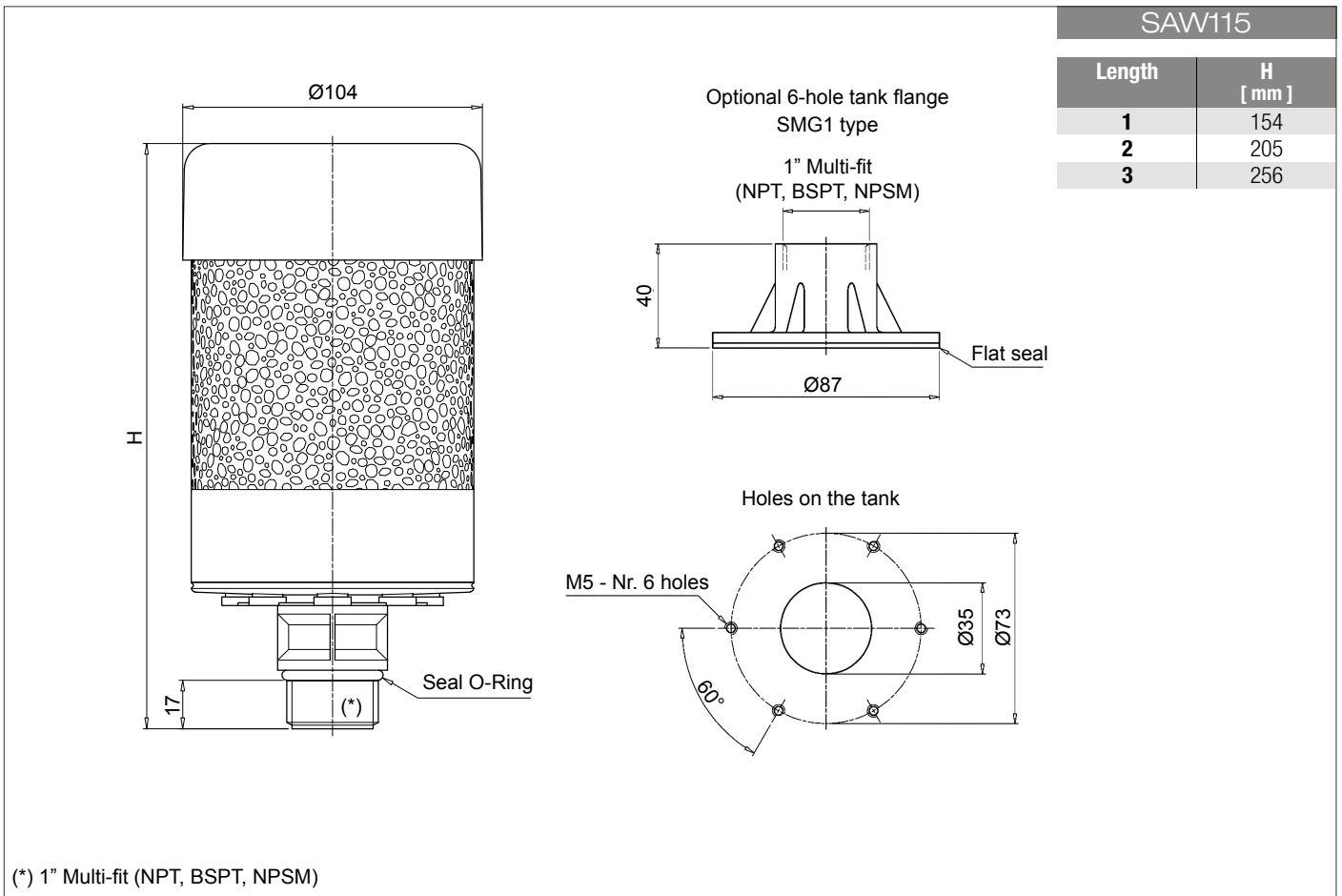
## Designation & Ordering code

### MOISTURE CONTROL DESICCANT BREATHER

Series and size	Configuration example :	SAW115	1	G	03	A	0	0	P01
<b>SAW115</b>									
<b>Length</b>			1   2   3						
<b>Connections to the tank</b>				G Thread 1"					
<b>Filtration rating</b>					03 Orange Silica Gel				
<b>Seals</b>						A NBR			
<b>Valve</b>							0 Without valve		
<b>Option</b>								0 Standard	
<b>Execution</b>									P01 MP Filtri standard Pxx Customized

### ACCESSORIES

Series and size	Configuration example :	SMG1	S	A	P02
<b>SMG Adapter Flange</b>					
<b>Connections to the tank</b>			S Without screws		
<b>Seals</b>				A NBR	
<b>Execution</b>					P02 MP Filtri standard



## Silica gel

Active breather



Depleted breather



Silica gel is the most efficient and economic moisture adsorbent for general applications.

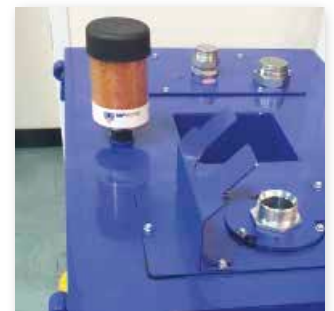
A white breather means the unit has done its job keeping moisture out of your lubricants.

Whenever the colour changes from orange to white it's time to replace the breather with a new one.

All breathers should be changed at least once a year.

### IMPORTANT

Dispose of the exhausted silica gel according to the regulations in force in the country of use.



## Air vent holes

Max hydraulic flow rate [ l/min (cfm) ]	Holes to open
up to 110 (4)	2
from 111 to 220 (4-8)	4
from 221 to 330 (8-12)	6
from 331 to 452 (12-16)	8

### IMPORTANT INSTALLATION INFORMATION

- The air vent holes are plugged for any new breather
- The plugs protect the dryer agent during storage and shipment
- The plugs must be taken out during the installation, according to the max hydraulic flow rate

