

# MPTX series

Maximum working pressure up to 800 kPa (8 bar) - Flow rate up to 300 l/min





THE NEW FILTER CONCEPT

MPFX  
MPLX  
MPTX  
MFBX  
MFX  
series

## NEW FILTER ELEMENT WITH EXCLUSIVE INTERFACE CONNECTION

- **Protects the machine from improper use of non-original products.**
- **Safety of constant quality protection & reliability**

With exclusive filter element you are sure that only MP Filtri filter elements can be used, ensuring the best cleaning level of the oil due to the use of originals filter elements.



Filter element featuring our UNIQUE end cap with polygonal design.



UNIQUE polygonal spigot fitting within the filter bowl.

The products identified as MPFX, MPLX, MPTX, MFBX and MFX are protected by:

Italian Patent n° 102014902261205

Canadian Patent n° 2,937,258

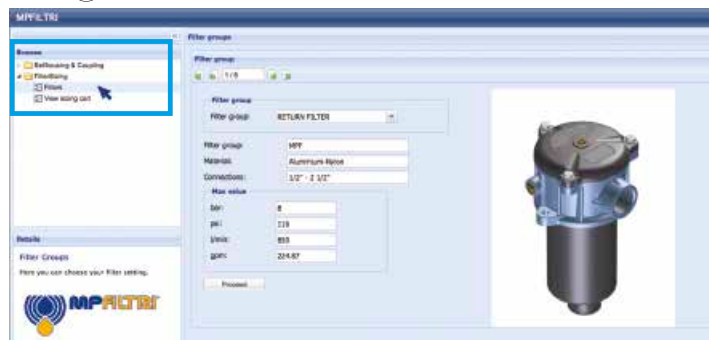
and by the following patent applications:

European Patent n° 16181725.9

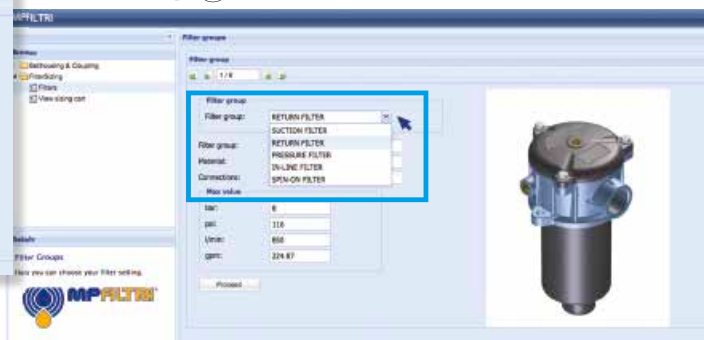
US Patent Pending n° 15/224,337

# TYPICAL FILTER SIZING Selection Software

**Step 1** Select "FILTERS"



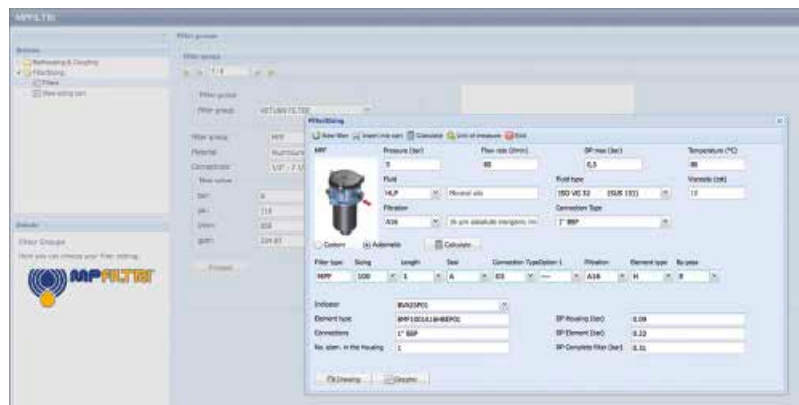
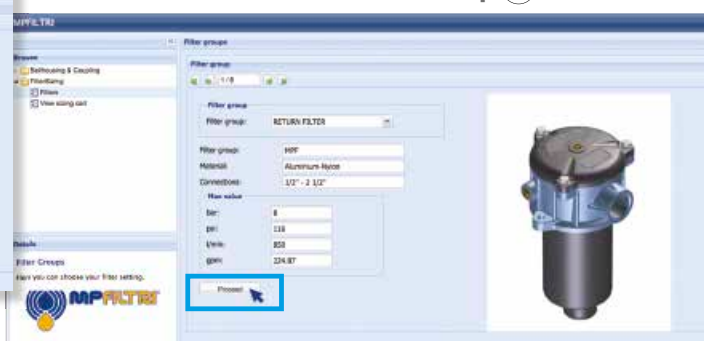
**Step 2** Choose filter group (Return Filter, Pressure Filter, etc.)



**Step 3** Choose filter type (MPF, MPT, etc.) in function of the max working pressure and the max flow rate



**Step 4** Push "PROCEED"



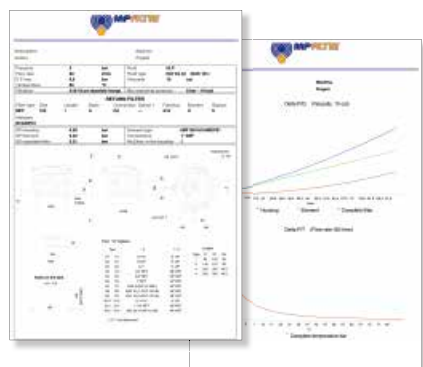
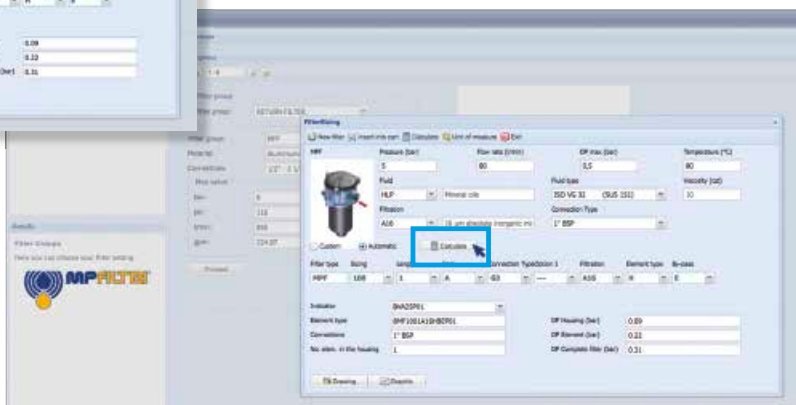
**Step 5**

Insert all application data to calculate the filter size following the sequence:

- working pressure
- working flow rate
- working pressure drop
- working temperature
- fluid material and fluid type
- filtration media
- connection type

**Step 6**

Push "CALCULATE" to have result; in case of any mistake, the system will advice which parameter is out of range to allow to modify/adjust the selection



**Step 7**

Download PDF Datasheet "Report.aspx" pushing the button "Drawing"



## Description

## Technical data

### Return filter

**Maximum working pressure up to 800 kPa (8 bar)**

**Flow rate up to 300 l/min**

MPTX is a range of return filters with integrated breather filter, for protection of the reservoir against the system contamination.

They are directly fixed to the reservoir, in immersed or semi-immersed position.

The filter output must be always immersed into the fluid to avoid aeration or foam generation into the reservoir.

### Available features:

- Female threaded connections up to 1 1/4", for a maximum flow rate of 300 l/min
- Multiple connections, to connect several return lines or drains
- Fine filtration rating, to get a good cleanliness level into the reservoir
- Bypass valve integrated into the filter element, to relieve excessive pressure drop across the filter media
- 2, 3 or 6 fixing holes for installation, to suit a variety of reservoir surfaces
- O-ring or Flat Seal to suit a variety of reservoir surfaces
- Screw-in cover with a special shape, to allow the filter element replacement without the use of specific tools
- Oil dipstick, to easily check the level of the fluid into the reservoir (sold as separate item)
- Extension tube, to be used in deep reservoirs (sold as separate item)
- Diffuser, to reduce the risk of aeration, foaming and noise (sold as separate item)
- Integrated breather filter, to clean the air that moves into the reservoir as result of the oil level fluctuation
- Integrated breather filter with pressurization valve, to clean the air that moves into the reservoir as result of the oil level fluctuation and to guarantee the pressurization into the reservoir
- Visual, electrical and electronic clogging indicators
- MYclean interface connection, to protect the product against non-original spare parts
- External protective wrap, to optimize the flow through the element and to save the element efficiency against non-proper handling

### Common applications:

- Light industrial equipment
- Mobile application

### Filter housing materials

- Head: Aluminium
- Cover: Nylon
- Bowl: Nylon

### Bypass valve

- Opening pressure 175 kPa (1.75 bar)  $\pm 10\%$
- Opening pressure 300 kPa (3 bar)  $\pm 10\%$

### $\Delta p$ element type

- Microfiber filter elements - series H: 10 bar
- Fluid flow through the filter element from OUT to IN

### Seals

- Standard NBR series A
- Optional FPM series V

### Temperature

From -25 °C to +110 °C

### Note

MPTX filters are provided for vertical mounting



## Weights [kg] and volumes [dm<sup>3</sup>]

Filter series	Weights [kg]					Volumes [dm <sup>3</sup> ]				
	Length	1	2	3	4	Length	1	2	3	4
<b>MPTX 025</b>		0.41	0.45	0.50	-		0.24	0.35	0.42	-
<b>MPTX 027</b>		0.44	0.48	0.55	-		0.24	0.35	0.42	-
<b>MPTX 110</b>		1.00	1.05	1.15	1.40		0.72	0.93	1.28	1.74
<b>MPTX 114</b>		1.10	1.15	1.25	1.50		0.72	0.93	1.28	1.74
<b>MPTX 116</b>		1.10	1.15	1.25	1.50		0.72	0.93	1.28	1.74
<b>MPTX 120</b>		1.00	1.05	1.15	1.40		0.72	0.93	1.28	1.74

Filter series	Length	Filter element design - H series					Filter element design - N series		
		A03	A06	A10	A16	A25	M25 M60 M90	P10	P25
<b>MPTX 025-027</b>	<b>1</b>	7	10	23	28	42	59	51	54
	<b>2</b>	17	20	45	48	56	72	64	67
	<b>3</b>	21	24	50	55	59	76	74	75
<b>MPTX 110-120 114-116</b>	<b>1</b>	18	20	53	56	65	153	87	96
	<b>2</b>	28	38	65	75	95	158	111	123
	<b>3</b>	48	55	125	135	169	289	224	251
	<b>4</b>	79	89	180	185	198	306	264	289

### Maximum flow rate for a complete return filter with a pressure drop $\Delta p = 0.5$ bar.

The reference fluid has a kinematic viscosity of 30 mm<sup>2</sup>/s (cSt) and a density of 0.86 kg/dm<sup>3</sup>.

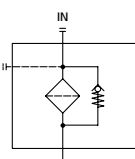
For different pressure drop or fluid viscosity we recommend to use our selection software available on [www.mpfiltri.com](http://www.mpfiltri.com).

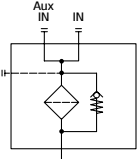
You can also calculate the right size using the formulas present on the FILTER SIZING paragraph at the beginning of the full catalogue or at the beginning of the filter family brochure. Please, contact our Sales Department for further additional information.

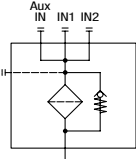
## Hydraulic symbols

Filter series	Style 1 connection	Style 2 connections	Style 3 connections
<b>MPTX 025</b>	•		
<b>MPTX 027</b>	•		
<b>MPTX 110</b>		•	
<b>MPTX 114</b>	•		
<b>MPTX 116</b>	•		
<b>MPTX 120</b>			•



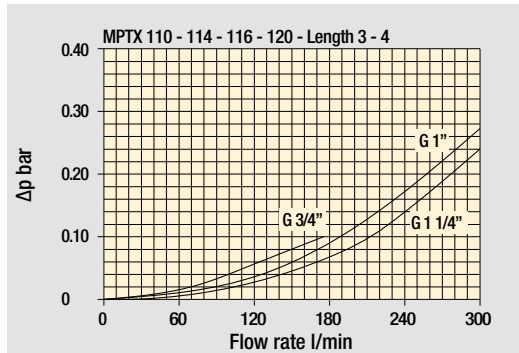
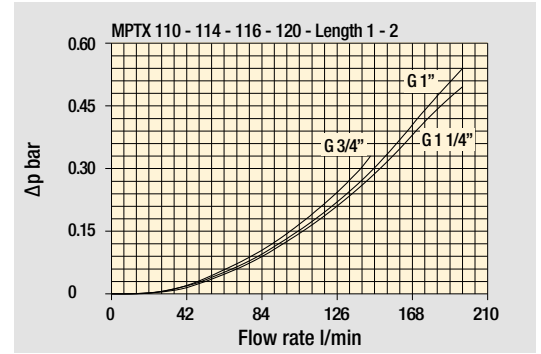
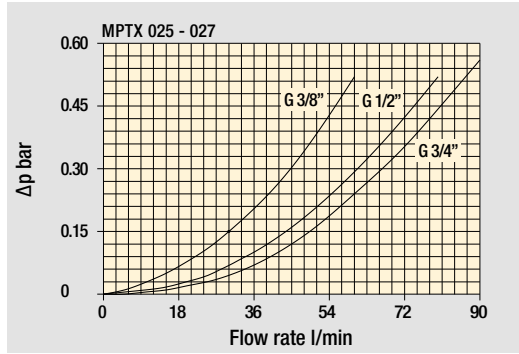




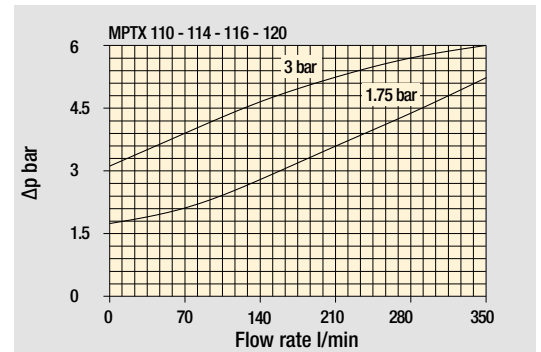
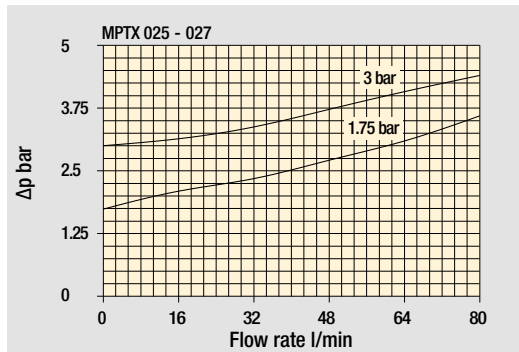
# MPTX GENERAL INFORMATION

## Pressure drop

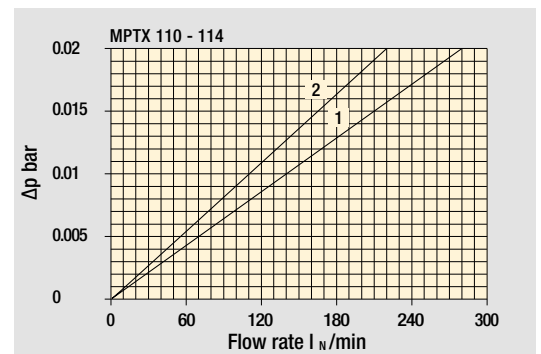
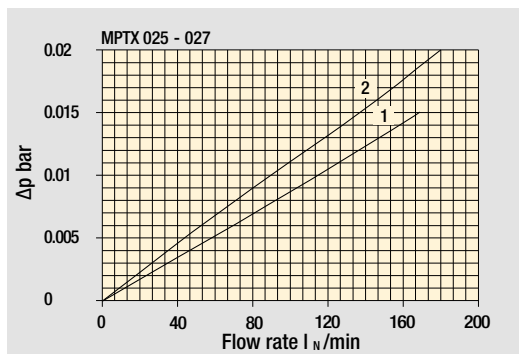
### Filter housings $\Delta p$ pressure drop



### Bypass valve pressure drop



### Air breather pressure drop







- 1  C With air breather 10  $\mu m$
- 2  D With anti-splash and SAP50 10  $\mu m$

The curves are plotted using mineral oil with density of 0.86 kg/dm<sup>3</sup> in compliance with ISO 3968.  $\Delta p$  varies proportionally with density.

MPTX 025 -027		
Air breather port plugged Indicator port	Air breather standard Indicator port	Anti-splash air breather & pressurized Double indicator port
		

## Multiport - Multifunction

MPTX 110	
Standard - Single IN Port	Double IN Port - Double indicator port
	
Double IN Port Option: double drain port	Double IN Port - Indicator port Option: drain port
	

### MPTX 120

Triple IN port  
Option: double drain port





# MPTX MPTX025 - MPTX027

## Designation & Ordering code

### COMPLETE FILTER

<b>Series and size</b> <b>MPTX025   MPTX027</b> Filter element with private spigot	Configuration example 1: <b>MPTX025</b>   <b>1</b>   <b>S</b>   <b>A</b>   <b>G3</b>   <b>A10</b>   <b>E</b>   <b>P01</b>
	Configuration example 2: <b>MPTX027</b>   <b>3</b>   <b>C</b>   <b>W</b>   <b>G6</b>   <b>A03</b>   <b>B</b>   <b>P01</b>
<b>Length</b> <b>1</b>   <b>2</b>   <b>3</b>	
<b>Air breather</b> <b>S</b> Without air breather <b>C</b> With air breather 10 µm <b>D</b> With anti-splash and air breather SAP050 10 µm <b>P</b> With anti-splash and air breather SAP050 10 µm, pressurization 0.5 bar	
<b>Seals and treatments</b>	<b>Filtration rating</b>
<b>A</b> NBR	<b>Axx</b>   <b>Mxx</b>   <b>Pxx</b>
<b>V</b> FPM	•   •   •
<b>W</b> NBR head anodized filter element compatible with fluids HFA-HFB-HFC	•   •   •
<b>Z</b> FPM head anodized	•   •   •
<b>Connections</b>	
<b>G1</b> G 3/8"	<b>G6</b> 3/4" NPT
<b>G2</b> G 1/2"	<b>G7</b> SAE 6 - 9/16" - 18 UNF
<b>G3</b> G 3/4"	<b>G8</b> SAE 8 - 3/4" - 16 UNF
<b>G4</b> 3/8" NPT	<b>G9</b> SAE 12 - 1 1/16" - 12 UN
<b>G5</b> 1/2" NPT	
<b>Filtration rating (filter media)</b>	
<b>A03</b> Inorganic microfiber 3 µm	<b>M25</b> Wire mesh 25 µm
<b>A06</b> Inorganic microfiber 6 µm	<b>M60</b> Wire mesh 60 µm
<b>A10</b> Inorganic microfiber 10 µm	<b>M90</b> Wire mesh 90 µm
<b>A16</b> Inorganic microfiber 16 µm	<b>P10</b> Resin impregnated paper 10 µm
<b>A25</b> Inorganic microfiber 25 µm	<b>P25</b> Resin impregnated paper 25 µm
	<b>Bypass valve</b> <b>E</b> 3 bar <b>B</b> 1.75 bar
	<b>Execution</b> <b>P01</b> MP Filtri standard <b>Pxx</b> Customized

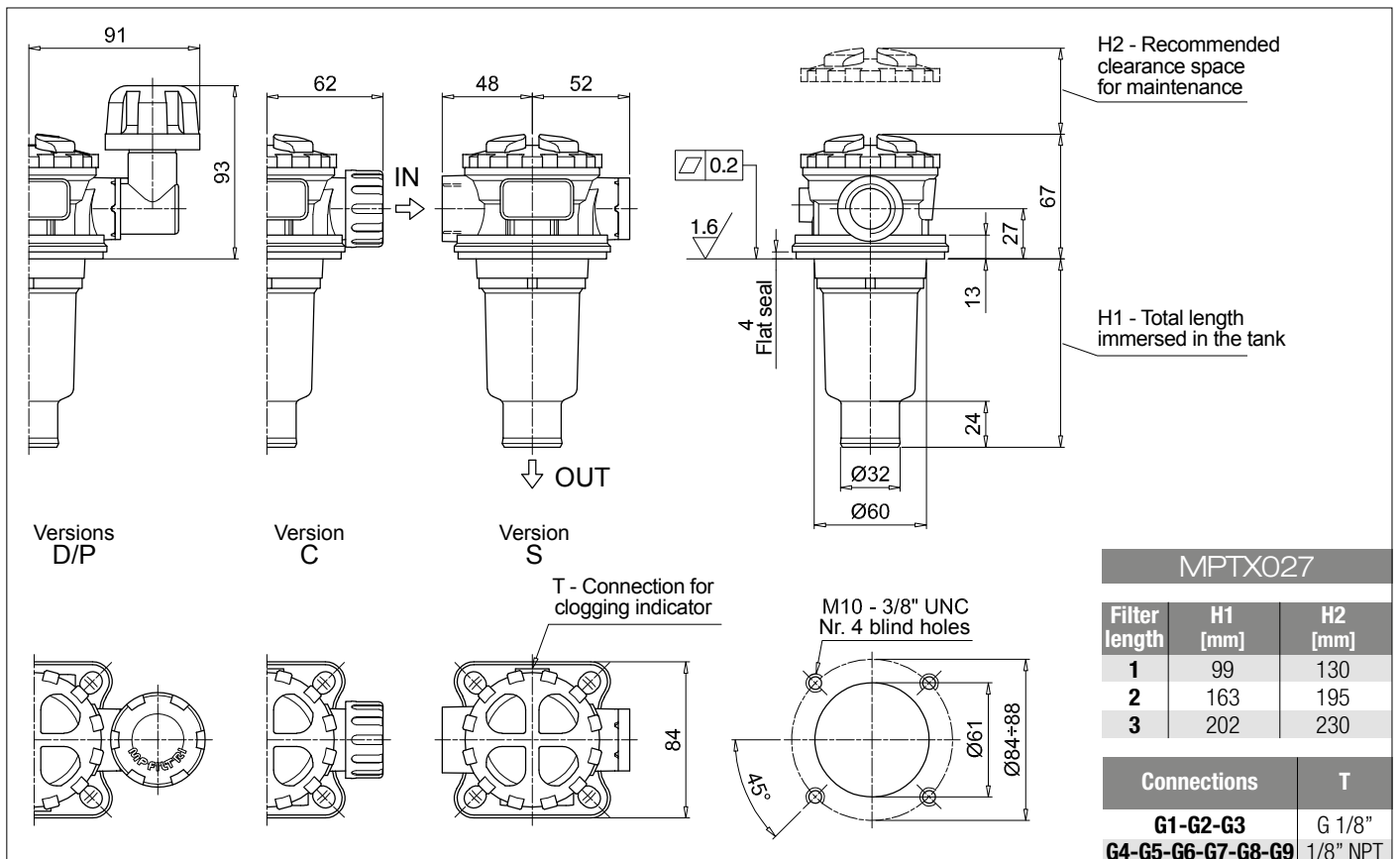
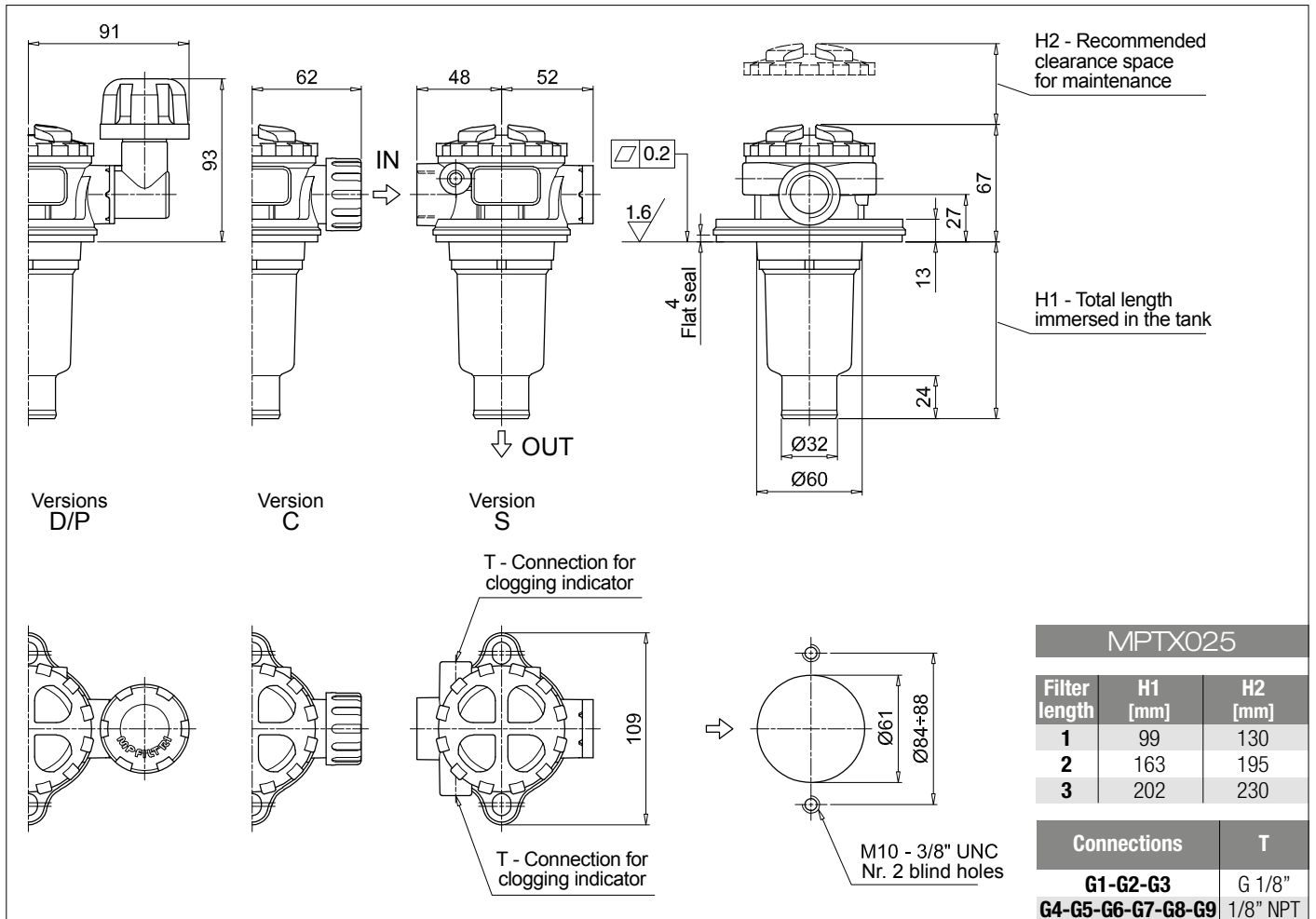
### FILTER ELEMENT

<b>Element series and size</b> <b>MFX020</b> Filter element with private spigot	Configuration example 2: <b>MFX020</b>   <b>1</b>   <b>A10</b>   <b>H</b>   <b>B</b>   <b>E</b>   <b>P01</b>
	Configuration example 1: <b>MFX020</b>   <b>3</b>   <b>A03</b>   <b>W</b>   <b>B</b>   <b>P01</b>
<b>Element length</b> <b>1</b>   <b>2</b>   <b>3</b>	
<b>Filtration rating (filter media)</b>	
<b>A03</b> Inorganic microfiber 3 µm	<b>M25</b> Wire mesh 25 µm
<b>A06</b> Inorganic microfiber 6 µm	<b>M60</b> Wire mesh 60 µm
<b>A10</b> Inorganic microfiber 10 µm	<b>M90</b> Wire mesh 90 µm
<b>A16</b> Inorganic microfiber 16 µm	<b>P10</b> Resin impregnated paper 10 µm
<b>A25</b> Inorganic microfiber 25 µm	<b>P25</b> Resin impregnated paper 25 µm
<b>Element Δp</b>	<b>Filter media</b>
<b>N</b> 10 bar	<b>Axx</b>   <b>Mxx</b>   <b>Pxx</b>
<b>H</b> 10 bar	•   •   •
<b>W</b> 10 bar, compatible with fluids HFA, HFB and HFC	•   •   •
	<b>Seals</b> <b>B</b> NBR <b>V</b> FPM
	<b>Bypass valve</b> <b>E</b> 3 bar <b>B</b> 1.75 bar
	<b>Execution</b> <b>P01</b> MP Filtri standard <b>Pxx</b> Customized

### ACCESSORIES

<b>Indicators</b>	page		page
<b>BVA</b> Axial pressure gauge	240	<b>BEA</b> Electrical pressure indicator	239
<b>BVR</b> Radial pressure gauge	240	<b>BEM</b> Electrical pressure indicator	239
<b>BVP</b> Visual pressure indicator with automatic reset	241	<b>BLA</b> Electrical / visual pressure indicator	239-240
<b>BVQ</b> Visual pressure indicator with manual reset	241		
<b>Additional features</b>	page		
<b>TE</b> Extension tube	248		
<b>DPT</b> Dipstick	249		





## Designation & Ordering code

### COMPLETE FILTER

<b>Series and size</b>			Configuration example 1: <b>MPTX110</b>   <b>1</b>   <b>S</b>   <b>A</b>   <b>G1</b>   <b>0</b>   <b>A06</b>   <b>E</b>   <b>P01</b>								
<b>MPTX110</b> Filter element with private spigot			Configuration example 2: <b>MPTX110</b>   <b>3</b>   <b>P</b>   <b>V</b>   <b>G4</b>   <b>1</b>   <b>M25</b>   <b>B</b>   <b>P01</b>								
<b>Length</b>											
1   2   3   4											
<b>Air breather</b>											
<b>S</b> Without air breather											
<b>C</b> With air breather 10 µm											
<b>D</b> With anti-splash and air breather SAP050 10 µm											
<b>P</b> With anti-splash and air breather SAP050 10 µm, pressurization 0.5 bar											
<b>Seals and treatments</b>			Filtration rating								
			Axx	Mxx	Pxx						
<b>A</b> NBR			•	•	•						
<b>V</b> FPM			•	•	•						
<b>W</b> NBR head anodized			•	•							
<b>Z</b> FPM head anodized			•	•							
			filter element compatible with fluids HFA-HFB-HFC								
<b>Main Connections</b>		<b>Aux size 1</b>	<b>Aux size 2</b>	<b>Main Connections</b>		<b>Aux size 1</b>	<b>Aux size 2</b>				
<b>G1</b> G 3/4"		G 3/8"	G 1/2"	<b>G6</b> 1 1/4" NPT		3/8" NPT	1/2" NPT				
<b>G2</b> G 1"				<b>G7</b> SAE 12 - 1 1/16" - 12 UN		SAE 6 - 9/16" - 18 UNF	SAE 8 - 3/4" - 16 UNF				
<b>G3</b> G 1 1/4"		3/8" NPT	1/2" NPT	<b>G8</b> SAE 16 - 1 5/16" - 12 UN							
<b>G4</b> 3/4" NPT				<b>G9</b> SAE 20 - 1 5/8" - 12 UN							
<b>G5</b> 1" NPT											
<b>Aux connection</b> - see previous table											
<b>0</b> Not machined   <b>1</b> Aux size 1   <b>2</b> Aux size 2											
<b>Filtration rating (filter media)</b>											
<b>A03</b> Inorganic microfiber 3 µm			<b>M25</b> Wire mesh 25 µm								
<b>A06</b> Inorganic microfiber 6 µm			<b>M60</b> Wire mesh 60 µm								
<b>A10</b> Inorganic microfiber 10 µm			<b>M90</b> Wire mesh 90 µm								
<b>A16</b> Inorganic microfiber 16 µm			<b>P10</b> Resin impregnated paper 10 µm								
<b>A25</b> Inorganic microfiber 25 µm			<b>P25</b> Resin impregnated paper 25 µm								
						<b>Bypass valve</b>		<b>Execution</b>			
						<b>E</b> 3 bar		<b>P01</b> MP Filtri standard			
						<b>B</b> 1.75 bar		<b>Pxx</b> Customized			

### FILTER ELEMENT

<b>Element series and size</b>			Configuration example 1: <b>MFx100</b>   <b>1</b>   <b>A06</b>   <b>H</b>   <b>B</b>   <b>E</b>   <b>P01</b>								
<b>MFx100</b> Filter element with private spigot			Configuration example 2: <b>MFx100</b>   <b>3</b>   <b>M25</b>   <b>N</b>   <b>V</b>   <b>P01</b>								
<b>Element length</b>											
1   2   3   4											
<b>Filtration rating (filter media)</b>											
<b>A03</b> Inorganic microfiber 3 µm			<b>M25</b> Wire mesh 25 µm								
<b>A06</b> Inorganic microfiber 6 µm			<b>M60</b> Wire mesh 60 µm								
<b>A10</b> Inorganic microfiber 10 µm			<b>M90</b> Wire mesh 90 µm								
<b>A16</b> Inorganic microfiber 16 µm			<b>P10</b> Resin impregnated paper 10 µm								
<b>A25</b> Inorganic microfiber 25 µm			<b>P25</b> Resin impregnated paper 25 µm								
<b>Element Δp</b>			Filter media								
			Axx	Mxx	Pxx						
<b>N</b> 10 bar			•	•	•						
<b>H</b> 10 bar			•								
<b>W</b> 10 bar, compatible with fluids HFA, HFB and HFC			•	•							
						<b>Seals</b>		<b>Bypass valve</b>		<b>Execution</b>	
						<b>B</b> NBR		<b>E</b> 3 bar		<b>P01</b> MP Filtri standard	
						<b>V</b> FPM		<b>B</b> 1.75 bar		<b>Pxx</b> Customized	

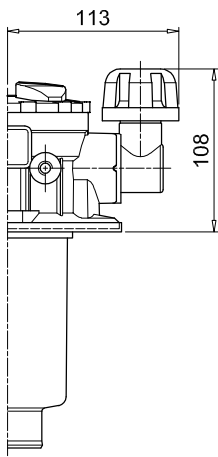
### ACCESSORIES

<b>Indicators</b>		page			page
<b>BVA</b> Axial pressure gauge	240		<b>BEA</b> Electrical pressure indicator	239	
<b>BVR</b> Radial pressure gauge	240		<b>BEM</b> Electrical pressure indicator	239	
<b>BVP</b> Visual pressure indicator with automatic reset	241		<b>BLA</b> Electrical / visual pressure indicator	239-240	
<b>BVQ</b> Visual pressure indicator with manual reset	241				
<b>Additional features</b>		page			page
<b>TE</b> Extension tube	248		<b>DPT</b> Dipstick	249	
<b>DFS</b> Diffuser with fast lock connection	249				

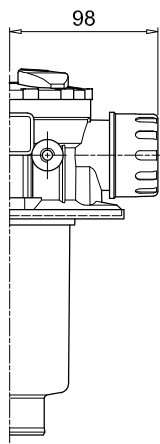
MPTX110		
Filter length	H1 [mm]	H2 [mm]
1	99	120
2	144	170
3	222	250
4	324	350

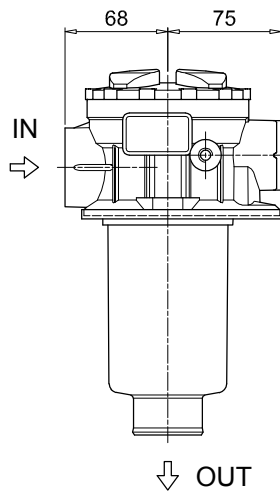
Connections	T
G1-G2-G3	G 1/8"
G4-G5-G6-G7-G8-G9	1/8" NPT



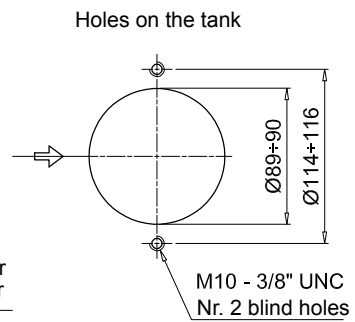
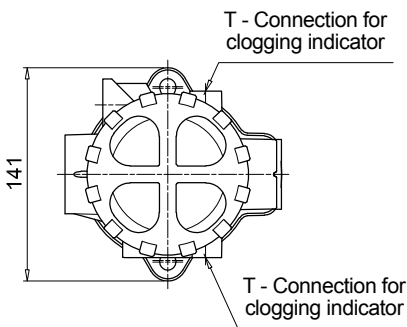
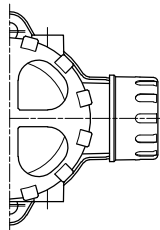
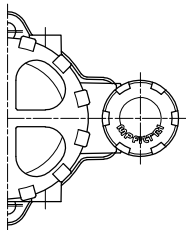
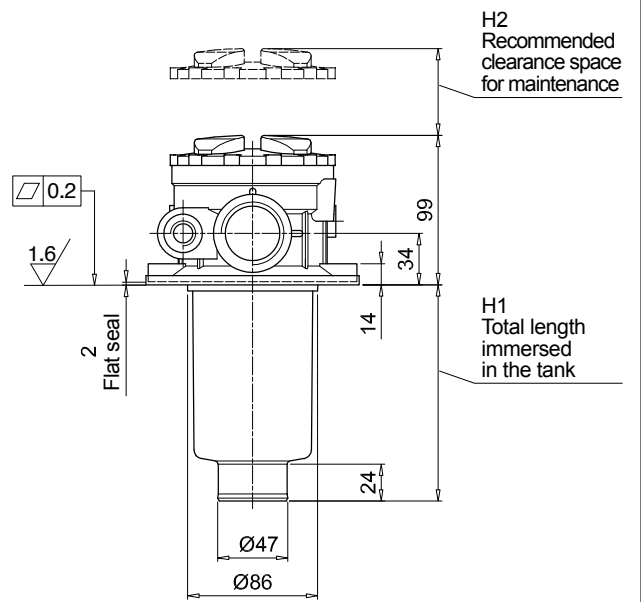
Versions D/P



Version C



Version S



## Designation & Ordering code

### COMPLETE FILTER

<b>Series and size</b>	Configuration example 1:	MPTX114	4	S	A	G3	A10	E	P01
<b>MPTX114</b> Filter element with private spigot	Configuration example 2:	MPTX114	3	C	W	G6	A03	B	P01

<b>Length</b>	
1   2   3   4	

<b>Air breather</b>	
<b>S</b> Without air breather	
<b>C</b> With air breather 10 µm	
<b>D</b> With anti-splash and air breather SAP050 10 µm	
<b>P</b> With anti-splash and air breather SAP050 10 µm pressurization 0.5 bar	

<b>Seals and treatments</b>	Filtration rating		
	Axx	Mxx	Pxx
<b>A</b> NBR	•	•	•
<b>V</b> FPM	•	•	•
<b>W</b> NBR head anodized	•	•	
<b>Z</b> FPM head anodized	•	•	

<b>Connections</b>	
<b>G1</b> G 3/4"	<b>G6</b> 1 1/4" NPT
<b>G2</b> G 1"	<b>G7</b> SAE 12 - 1 1/16" - 12 UN
<b>G3</b> G 1 1/4"	<b>G8</b> SAE 16 - 1 5/16" - 12 UN
<b>G4</b> 3/4" NPT	<b>G9</b> SAE 20 - 1 5/8" - 12 UN
<b>G5</b> 1" NPT	

<b>Filtration rating (filter media)</b>	
<b>A03</b> Inorganic microfiber 3 µm	<b>M25</b> Wire mesh 25 µm
<b>A06</b> Inorganic microfiber 6 µm	<b>M60</b> Wire mesh 60 µm
<b>A10</b> Inorganic microfiber 10 µm	<b>M90</b> Wire mesh 90 µm
<b>A16</b> Inorganic microfiber 16 µm	<b>P10</b> Resin impregnated paper 10 µm
<b>A25</b> Inorganic microfiber 25 µm	<b>P25</b> Resin impregnated paper 25 µm

<b>Bypass valve</b>	<b>Execution</b>
<b>E</b> 3 bar	<b>P01</b> MP Filtri standard
<b>B</b> 1.75 bar	<b>Pxx</b> Customized

### FILTER ELEMENT

<b>Element series and size</b>	Configuration example 2:	MFx100	4	A10	H	B	E	P01
<b>MFx100</b> Filter element with private spigot	Configuration example 1:	MFx100	3	A03	W	B		P01

<b>Element length</b>	
1   2   3   4	

<b>Filtration rating (filter media)</b>	
<b>A03</b> Inorganic microfiber 3 µm	<b>M25</b> Wire mesh 25 µm
<b>A06</b> Inorganic microfiber 6 µm	<b>M60</b> Wire mesh 60 µm
<b>A10</b> Inorganic microfiber 10 µm	<b>M90</b> Wire mesh 90 µm
<b>A16</b> Inorganic microfiber 16 µm	<b>P10</b> Resin impregnated paper 10 µm
<b>A25</b> Inorganic microfiber 25 µm	<b>P25</b> Resin impregnated paper 25 µm

<b>Element Δp</b>	Filter media		
	Axx	Mxx	Pxx
<b>N</b> 10 bar		•	•
<b>H</b> 10 bar	•		
<b>W</b> 10 bar, compatible with fluids HFA, HFB and HFC	•	•	

<b>Seals</b>	<b>Bypass valve</b>	<b>Execution</b>
<b>B</b> NBR	<b>E</b> 3 bar	<b>P01</b> MP Filtri standard
<b>V</b> FPM	1.75 bar	<b>Pxx</b> Customized

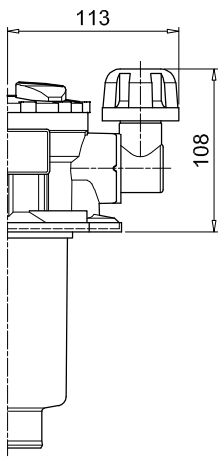
### ACCESSORIES

<b>Indicators</b>	page		page
<b>BVA</b> Axial pressure gauge	240	<b>BEA</b> Electrical pressure indicator	239
<b>BVR</b> Radial pressure gauge	240	<b>BEM</b> Electrical pressure indicator	239
<b>BVP</b> Visual pressure indicator with automatic reset	241	<b>BLA</b> Electrical / visual pressure indicator	239-240
<b>BVQ</b> Visual pressure indicator with manual reset	241		
<b>Additional features</b>	page		page
<b>TE</b> Extension tube	248	<b>DPT</b> Dipstick	249
<b>DFS</b> Diffuser with fast lock connection	249		

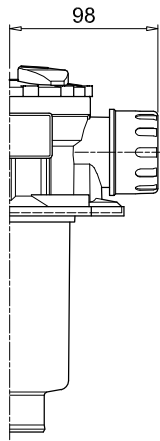
MPTX114		
Filter length	H1 [mm]	H2 [mm]
1	99	120
2	144	170
3	222	250
4	324	350

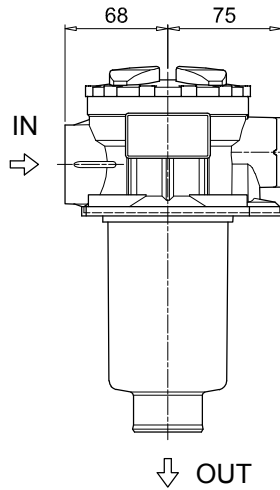
Connections	T
G1-G2-G3	G 1/8"
G4-G5-G6-G7-G8-G9	1/8" NPT



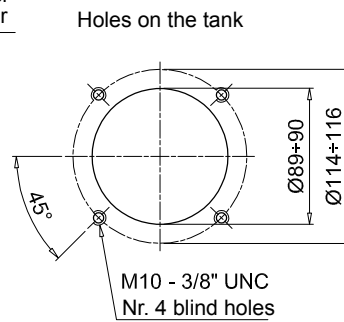
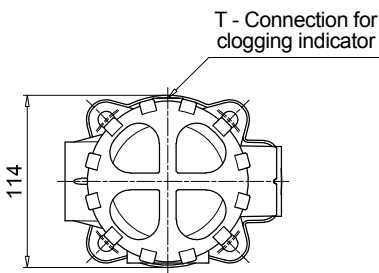
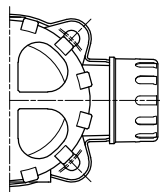
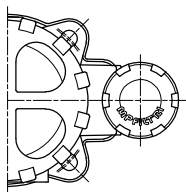
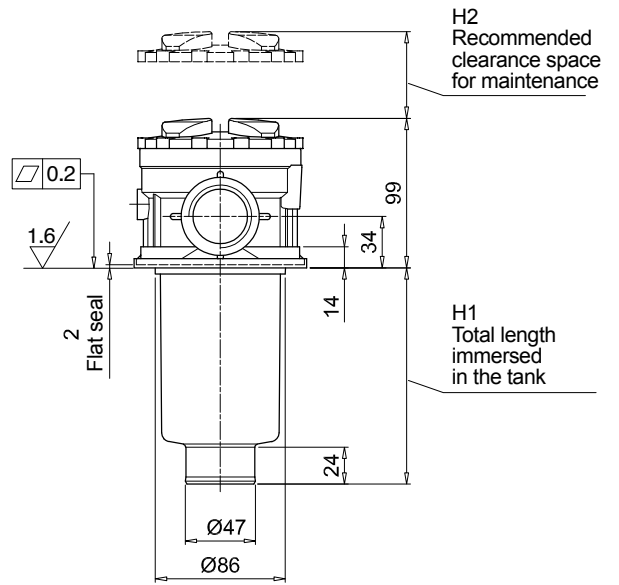
Versions D/P



Version C



Version S



## Designation & Ordering code

### COMPLETE FILTER

<b>Series and size</b>	Configuration example 1: <b>MPTX116</b>   <b>1</b>   <b>S</b>   <b>A</b>   <b>G1</b>   <b>M90</b>   <b>E</b>   <b>P01</b>								
<b>MPTX116</b> Filter element with private spigot	Configuration example 2: <b>MPTX116</b>   <b>2</b>   <b>S</b>   <b>Z</b>   <b>G9</b>   <b>A03</b>   <b>B</b>   <b>P01</b>								
<b>Length</b>	1   2   3   4								
<b>Air breather</b>	S Without air breather								
<b>Seals and treatments</b>	Filtration rating								
	Axx	Mxx	Pxx						
<b>A</b> NBR	•	•	•						
<b>V</b> FPM	•	•	•						
<b>W</b> NBR head anodized	•	•		filter element compatible with fluids HFA-HFB-HFC					
<b>Z</b> FPM head anodized	•	•							
Flat seal on the head on request									
<b>Connections</b>									
<b>G1</b> G 3/4"	<b>G6</b> 1 1/4" NPT								
<b>G2</b> G 1"	<b>G7</b> SAE 12 - 1 1/16" - 12 UN								
<b>G3</b> G 1 1/4"	<b>G8</b> SAE 16 - 1 5/16" - 12 UN								
<b>G4</b> 3/4" NPT	<b>G9</b> SAE 20 - 1 5/8" - 12 UN								
<b>G5</b> 1" NPT									
<b>Filtration rating (filter media)</b>									
<b>A03</b> Inorganic microfiber 3 µm	<b>M25</b> Wire mesh 25 µm								
<b>A06</b> Inorganic microfiber 6 µm	<b>M60</b> Wire mesh 60 µm								
<b>A10</b> Inorganic microfiber 10 µm	<b>M90</b> Wire mesh 90 µm								
<b>A16</b> Inorganic microfiber 16 µm	<b>P10</b> Resin impregnated paper 10 µm								
<b>A25</b> Inorganic microfiber 25 µm	<b>P25</b> Resin impregnated paper 25 µm								
	<b>Bypass valve</b>		<b>Execution</b>						
	<b>E</b> 3 bar		<b>P01</b> MP Filtri standard						
	<b>B</b> 1.75 bar		<b>Pxx</b> Customized						

### FILTER ELEMENT

<b>Element series and size</b>	Configuration example 2: <b>MFx100</b>   <b>1</b>   <b>M90</b>   <b>N</b>   <b>B</b>   <b>E</b>   <b>P01</b>							
<b>MFx100</b> Filter element with private spigot	Configuration example 1: <b>MFx100</b>   <b>2</b>   <b>A03</b>   <b>W</b>   <b>V</b>   <b>P01</b>							
<b>Element length</b>	1   2   3   4							
<b>Filtration rating (filter media)</b>								
<b>A03</b> Inorganic microfiber 3 µm	<b>M25</b> Wire mesh 25 µm							
<b>A06</b> Inorganic microfiber 6 µm	<b>M60</b> Wire mesh 60 µm							
<b>A10</b> Inorganic microfiber 10 µm	<b>M90</b> Wire mesh 90 µm							
<b>A16</b> Inorganic microfiber 16 µm	<b>P10</b> Resin impregnated paper 10 µm							
<b>A25</b> Inorganic microfiber 25 µm	<b>P25</b> Resin impregnated paper 25 µm							
<b>Element Δp</b>	Filter media							
	Axx	Mxx	Pxx					
<b>N</b> 10 bar		•	•					
<b>H</b> 10 bar	•							
<b>W</b> 10 bar, compatible with fluids HFA, HFB and HFC	•	•						
	<b>Seals</b>		<b>Bypass valve</b>		<b>Execution</b>			
	<b>B</b> NBR		<b>E</b> 3 bar		<b>P01</b> MP Filtri standard			
	<b>V</b> FPM		<b>B</b> 1.75 bar		<b>Pxx</b> Customized			

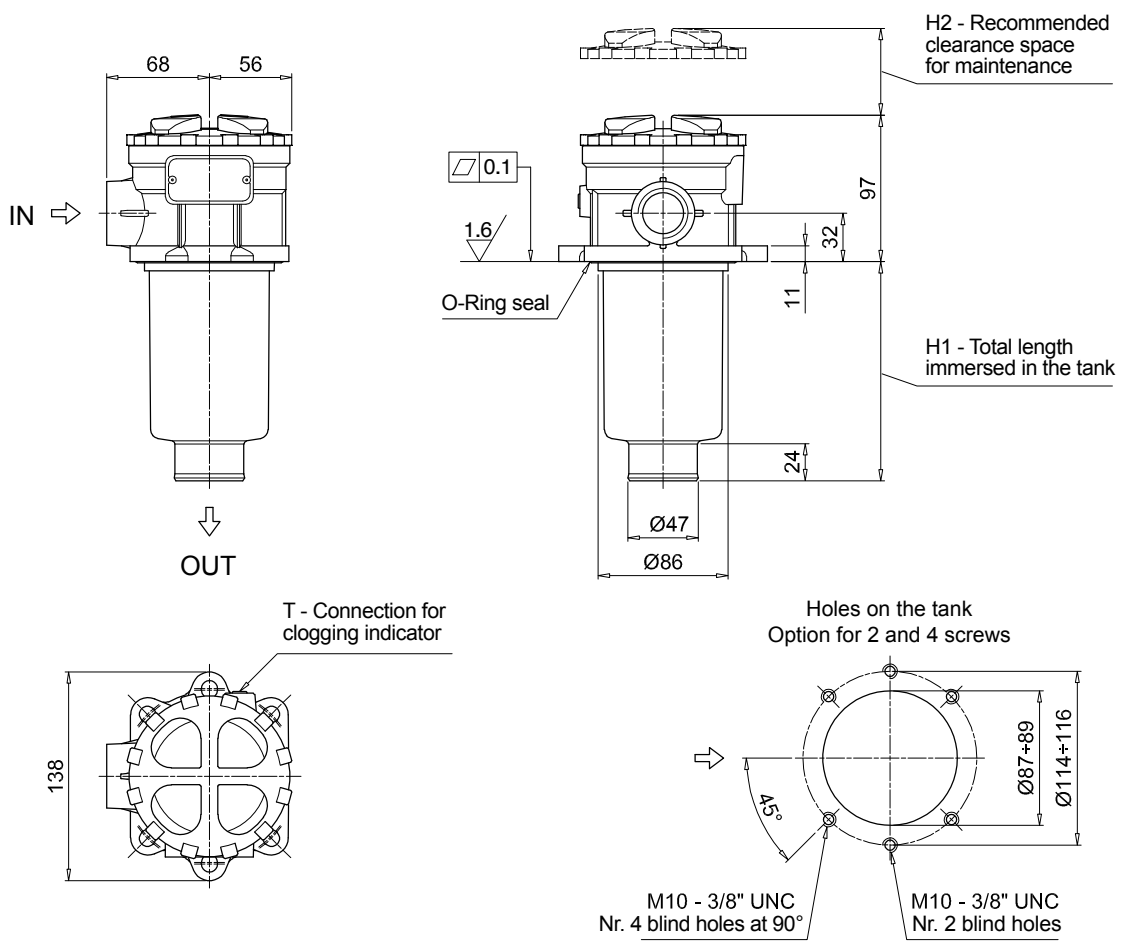
### ACCESSORIES

<b>Indicators</b>	page		page
<b>BVA</b> Axial pressure gauge	240	<b>BEA</b> Electrical pressure indicator	239
<b>BVR</b> Radial pressure gauge	240	<b>BEM</b> Electrical pressure indicator	239
<b>BVP</b> Visual pressure indicator with automatic reset	241	<b>BLA</b> Electrical / visual pressure indicator	239-240
<b>BVQ</b> Visual pressure indicator with manual reset	241		
<b>Additional features</b>	page		page
<b>TE</b> Extension tube	248	<b>DPT</b> Dipstick	249
<b>DFS</b> Diffuser with fast lock connection	249		

MPTX116		
Filter length	H1 [mm]	H2 [mm]
1	99	120
2	146	170
3	224	250
4	326	350

Connections	T
G1-G2-G3	G 1/8"
G4-G5-G6-G7-G8-G9	1/8" NPT





## Designation & Ordering code

### COMPLETE FILTER

<b>Series and size</b>	Configuration example 1:	MPTX120	1	A	G1	0	A06	E	P01
<b>MPTX120</b> Filter element with private spigot	Configuration example 2:	MPTX120	3	V	G4	1	M25	B	P01

<b>Length</b>	
1   2   3   4	

Seals and treatments	Filtration rating		
	Axx	Mxx	Pxx
<b>A</b> NBR	•	•	•
<b>V</b> FPM	•	•	•
<b>W</b> NBR head anodized	•	•	
<b>Z</b> FPM head anodized	•	•	

Main Connections	Rear connections	Aux size 1	Aux size 2
<b>G1</b> G 3/4"	G 3/4"	G 3/8"	G 1/2"
<b>G2</b> G 1"	G 1"		
<b>G3</b> G 1 1/4"	G 3/4"		
<b>G4</b> 3/4" NPT	3/4" NPT	3/8" NPT	1/2" NPT
<b>G5</b> 1" NPT	1" NPT		
<b>G6</b> 1 1/4" NPT	3/4" NPT	SAE 6 - 9/16" - 18 UNF	SAE 8 - 3/4" - 16 UNF
<b>G7</b> SAE 12 - 1 1/16" - 12 UN	SAE 12 - 1 1/16" - 12 UN		
<b>G8</b> SAE 16 - 1 5/16" - 12 UN	SAE 16 - 1 5/16" - 12 UN		
<b>G9</b> SAE 20 - 1 5/8" - 12 UN	SAE 12 - 1 1/16" - 12 UN		

<b>Aux connection</b> - see previous table
0 Not machined   1 Aux size 1   2 Aux size 2

Filtration rating (filter media)	
<b>A03</b> Inorganic microfiber 3 µm	<b>M25</b> Wire mesh 25 µm
<b>A06</b> Inorganic microfiber 6 µm	<b>M60</b> Wire mesh 60 µm
<b>A10</b> Inorganic microfiber 10 µm	<b>M90</b> Wire mesh 90 µm
<b>A16</b> Inorganic microfiber 16 µm	<b>P10</b> Resin impregnated paper 10 µm
<b>A25</b> Inorganic microfiber 25 µm	<b>P25</b> Resin impregnated paper 25 µm

Bypass valve	Execution
<b>E</b> 3 bar	<b>P01</b> MP Filtri standard
<b>B</b> 1.75 bar	<b>Pxx</b> Customized

### FILTER ELEMENT

<b>Element series and size</b>	Configuration example 1:	MFx100	1	A06	H	B	E	P01
<b>MFx100</b> Filter element with private spigot	Configuration example 2:	MFx100	3	M25	N	V		P01

<b>Element length</b>	
1   2   3   4	

Filtration rating (filter media)	
<b>A03</b> Inorganic microfiber 3 µm	<b>M25</b> Wire mesh 25 µm
<b>A06</b> Inorganic microfiber 6 µm	<b>M60</b> Wire mesh 60 µm
<b>A10</b> Inorganic microfiber 10 µm	<b>M90</b> Wire mesh 90 µm
<b>A16</b> Inorganic microfiber 16 µm	<b>P10</b> Resin impregnated paper 10 µm
<b>A25</b> Inorganic microfiber 25 µm	<b>P25</b> Resin impregnated paper 25 µm

Element Δp	Filter media		
	Axx	Mxx	Pxx
<b>N</b> 10 bar		•	•
<b>H</b> 10 bar	•		
<b>W</b> 10 bar, compatible with fluids HFA, HFB and HFC	•	•	

Seals	Bypass valve	Execution
<b>B</b> NBR	<b>E</b> 3 bar	<b>P01</b> MP Filtri standard
<b>V</b> FPM	1.75 bar	<b>Pxx</b> Customized

### ACCESSORIES

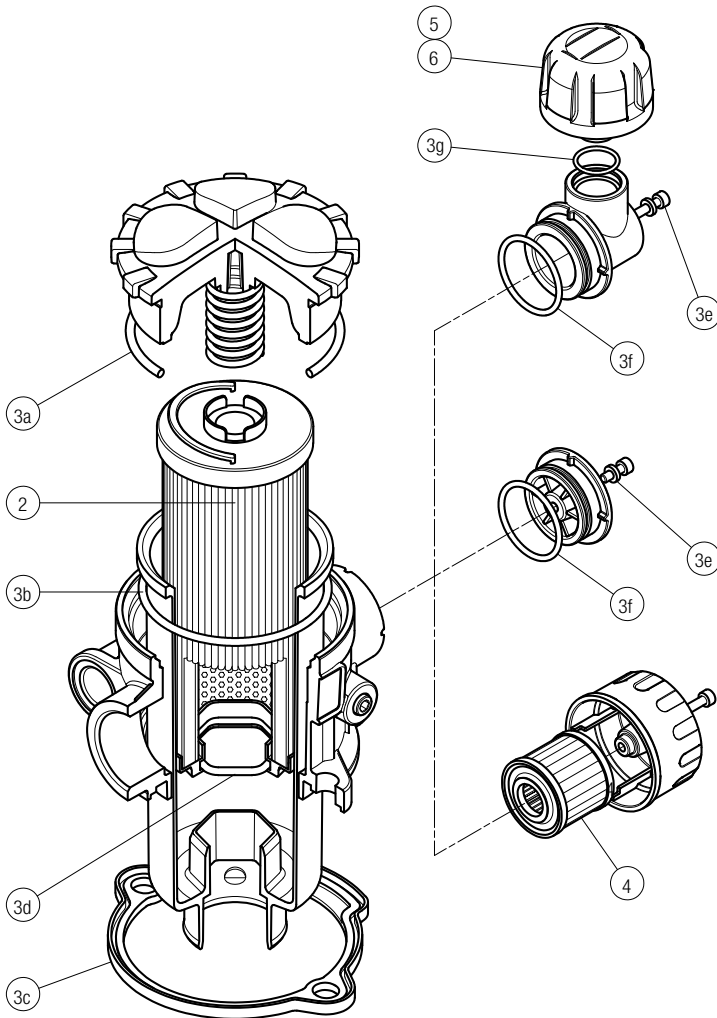
Indicators	page		page
<b>BVA</b> Axial pressure gauge	240	<b>BEA</b> Electrical pressure indicator	239
<b>BVR</b> Radial pressure gauge	240	<b>BEM</b> Electrical pressure indicator	239
<b>BVP</b> Visual pressure indicator with automatic reset	241	<b>BLA</b> Electrical / visual pressure indicator	239-240
<b>BVQ</b> Visual pressure indicator with manual reset	241		
Additional features	page		page
<b>TE</b> Extension tube	248	<b>DPT</b> Dipstick	249
<b>DFS</b> Diffuser with fast lock connection	249		



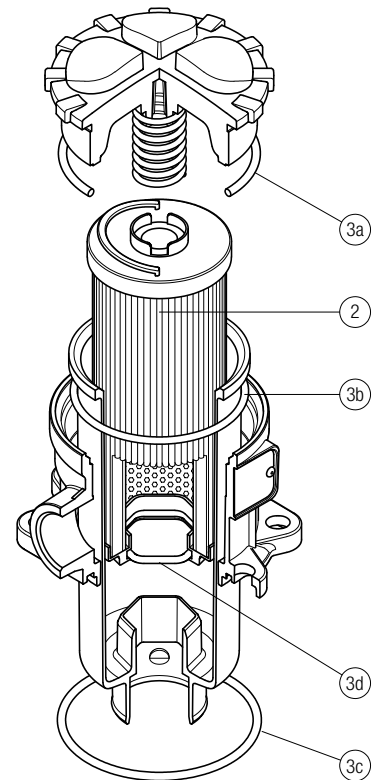
# MPTX SPARE PARTS

Order number for spare parts

**MPTX 025 - 027 - 110**



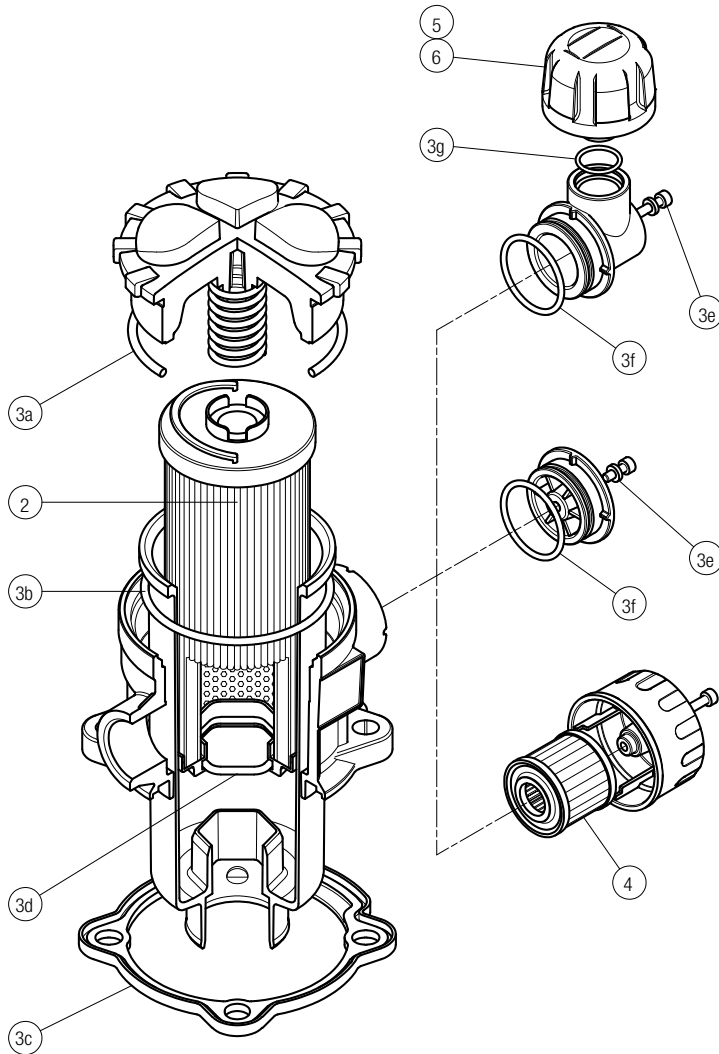
**MPTX 116**



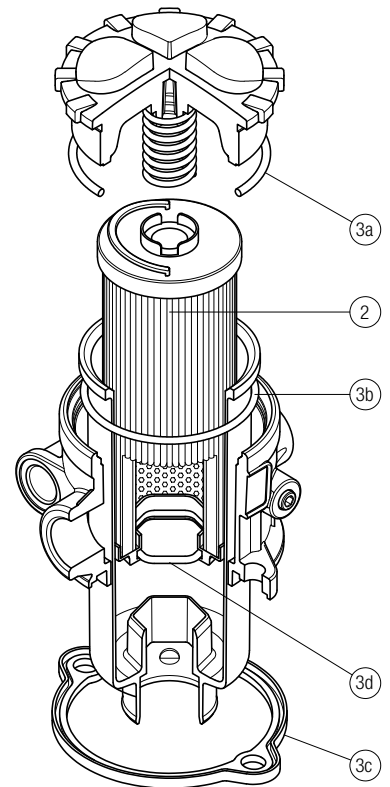
Item:	Q.ty: 1 pc.	Q.ty: 1 pc.	Q.ty: 1 pc.	Q.ty: 1 pc.	Q.ty: 1 pc.	
Filter series	Filter element	Seal Kit code number NBR	FPM	Air breather filter element - version:		
				C	D	P
<b>MPTX 025</b>	See order table	02050701	02050702	10 µm A3L03	10 µm SAP50G3L03A0P01	10 µm SAP50G3L03A1P01
<b>MPTX 027</b>		02050703	02050704	10 µm A3L03	10 µm SAP50G3L03A0P01	10 µm SAP50G3L03A1P01
<b>MPTX 110</b>		02050709	02050710	10 µm A5L03	10 µm SAP50G3L03A0P01	10 µm SAP50G3L03A1P01

Item:	Q.ty: 1 pc.	Q.ty: 1 pc.	
Filter series	Filter element	Seal Kit code number NBR	FPM
<b>MPTX 116</b>	See order table	02050737	02050738

## MPTX 114



## MPTX 120



Item:	Q.ty: 1 pc.	Q.ty: 1 pc.	Q.ty: 1 pc.	Q.ty: 1 pc.	Q.ty: 1 pc.	
Filter series	Filter element	Seal Kit code number		Air breather filter element - version:		
		NBR	FPM	C	D	P
<b>MPTX 114</b>	See order table	02050707	02050708	10 µm A5L03	10 µm SAP50G3L03A0P01	10 µm SAP50G3L03A1P01

Item:	Q.ty: 1 pc.	Q.ty: 1 pc.	
Filter series	Filter element	Seal Kit code number	
		NBR	FPM
<b>MPTX 120</b>	See order table	02050711	02050712