

MPT series

Maximum working pressure up to 800 kPa (8 bar) - Flow rate up to 300 l/min



Description

Technical data

Return filter

Maximum working pressure up to 800 kPa (8 bar)
Flow rate up to 300 l/min

MPT is a range of return filters with integrated breather filter, for protection of the reservoir against the system contamination.

They are directly fixed to the reservoir, in immersed or semi-immersed position.

The filter output must be always immersed into the fluid to avoid aeration or foam generation into the reservoir.

Available features:

- Female threaded connections up to 1 1/4", for a maximum flow rate of 300 l/min
- Multiple connections, to connect several return lines or drains
- Fine filtration rating, to get a good cleanliness level into the reservoir
- Bypass valve integrated into the filter element, to relieve excessive pressure drop across the filter media
- 2, 3 or 6 fixing holes for installation, to suit a variety of reservoir surfaces
- O-ring or Flat Seal to suit a variety of reservoir surfaces
- Screw-in cover with a special shape, to allow the filter element replacement without the use of specific tools
- Oil dipstick, to easily check the level of the fluid into the reservoir (sold as separate item)
- Extension tube, to be used in deep reservoirs (sold as separate item)
- Diffuser, to reduce the risk of aeration, foaming and noise (sold as separate item)
- Integrated breather filter, to clean the air that moves into the reservoir as result of the oil level fluctuation
- Integrated breather filter with pressurization valve, to clean the air that moves into the reservoir as result of the oil level fluctuation and to guarantee the pressurization into the reservoir
- Visual, electrical and electronic clogging indicators

Common applications:

- Light industrial equipment
- Mobile application

Filter housing materials

- Head: Aluminium
- Cover: Polyamide
- Bowl: Polyamide

Bypass valve

- Opening pressure 175 kPa (1.75 bar) $\pm 10\%$
- Opening pressure 300 kPa (3 bar) $\pm 10\%$

Δp element type

- Microfibre filter elements - series H: 10 bar
- Fluid flow through the filter element from OUT to IN

Seals

- Standard NBR series A
- Optional FPM series V

Temperature

From -25 °C to +110 °C

Note

MPT filters are provided for vertical mounting



Weights [kg] and volumes [dm³]

Filter series	Weights [kg]					Volumes [dm ³]				
	Length	1	2	3	4	Length	1	2	3	4
MPT 025		0.41	0.45	0.50	-		0.24	0.35	0.42	-
MPT 027		0.44	0.48	0.55	-		0.24	0.35	0.42	-
MPT 110		1.00	1.05	1.15	1.40		0.72	0.93	1.28	1.74
MPT 114		1.10	1.15	1.25	1.50		0.72	0.93	1.28	1.74
MPT 116		1.10	1.15	1.25	1.50		0.72	0.93	1.28	1.74
MPT 120		1.00	1.05	1.15	1.40		0.72	0.93	1.28	1.74

Filter series	Length	Filter element design - H series					Filter element design - N series		
		A03	A06	A10	A16	A25	M25 M60 M90	P10	P25
MPT 025-027	1	7	10	23	28	42	59	51	54
	2	17	20	45	48	56	72	64	67
	3	21	24	50	55	59	76	74	75
MPT 110-114 116-120	1	18	20	53	56	65	153	87	96
	2	28	38	65	75	95	158	111	123
	3	48	55	125	135	169	289	224	251
	4	79	89	180	185	198	306	264	289

Maximum flow rate for a complete return filter with a pressure drop $\Delta p = 0.5$ bar.

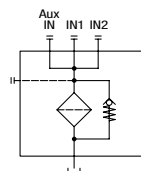
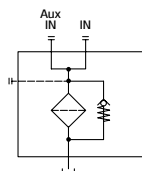
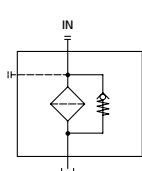
The reference fluid has a kinematic viscosity of 30 mm²/s (cSt) and a density of 0.86 kg/dm³.

For different pressure drop or fluid viscosity we recommend to use our selection software available on www.mpfiltri.com.

You can also calculate the right size using the formulas present on the FILTER SIZING paragraph at the beginning of the full catalogue or at the beginning of the filter family brochure. Please, contact our Sales Department for further additional information.

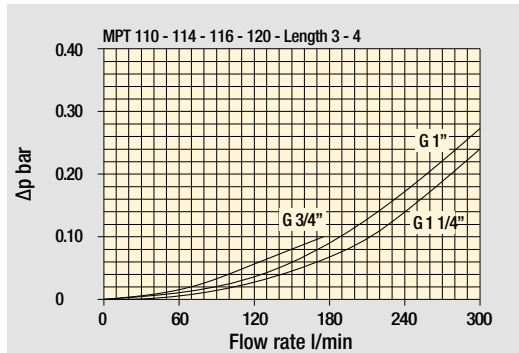
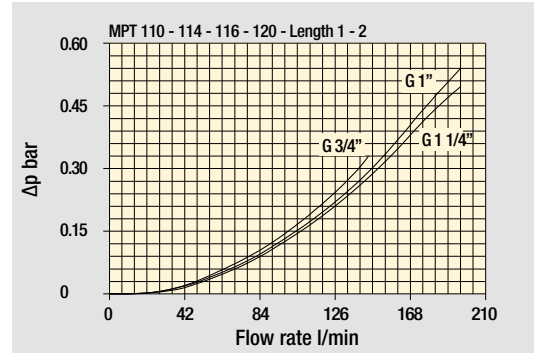
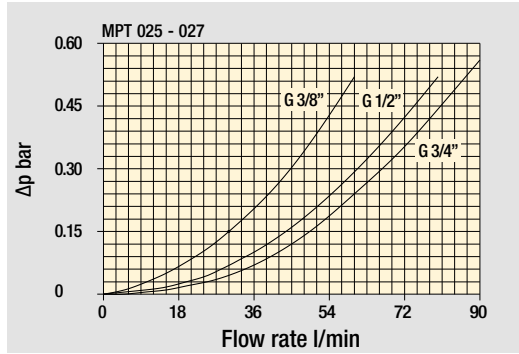
Hydraulic symbols

Filter series	Style 1 connection	Style 2 connections	Style 3 connections
MPT 025	•	-	-
MPT 027	•	-	-
MPT 110	-	•	-
MPT 114	•	-	-
MPT 116	•	-	-
MPT 120	-	-	•

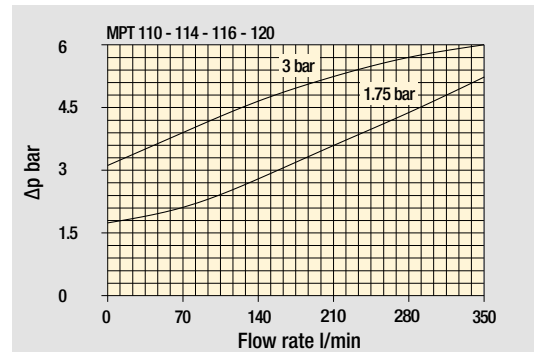
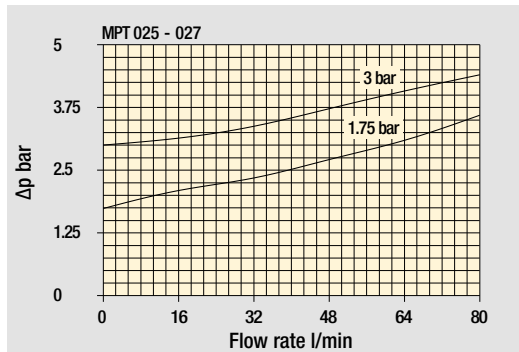


Pressure drop

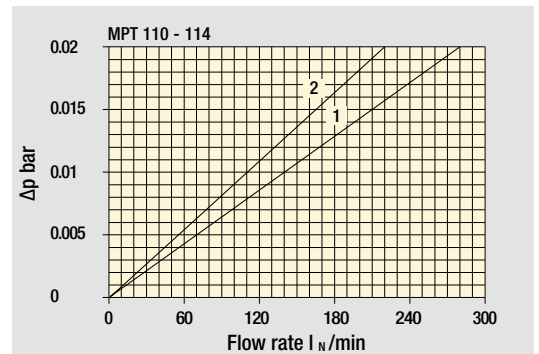
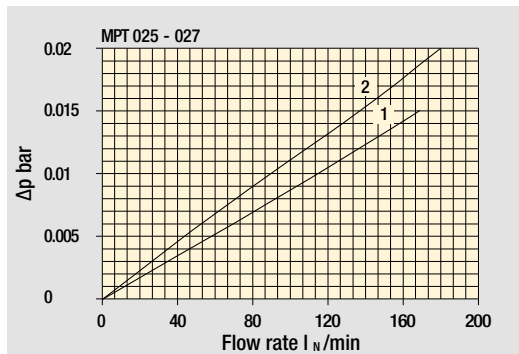
Filter housings Δp pressure drop



Bypass valve pressure drop



Air breather pressure drop







- 1 C With air breather 10 μ m
- 2 D With anti-splash and SAP50 10 μ m

The curves are plotted using mineral oil with density of 0.86 kg/dm³ in compliance with ISO 3968. Δp varies proportionally with density.

MPT 025 -027		
Air breather port plugged Indicator port	Air breather standard Indicator port	Anti-splash air breather & pressurized Double indicator port
		

Multiport - Multifunction

MPT 110	
Standard - Single IN Port	Double IN Port - Double indicator port
	
Double IN Port Option: double drain port	Double IN Port - Indicator port Option: drain port
	

MPT 120

Triple IN port
Option: double drain port



MPT MPT025 - MPT027

Designation & Ordering code

COMPLETE FILTER

Series and size		Configuration example 1:		MPT025	1	S	A	G3	A10	E	P01
MPT025 MPT027 Filter element with standard spigot		Configuration example 2:		MPT027	3	C	W	G6	A03	B	P01
Length											
1 2 3											
Air breather											
S Without air breather											
C With air breather 10 µm											
D With anti-splash and air breather SAP050 10 µm											
P With anti-splash and air breather SAP050 10 µm, pressurization 0.5 bar											
Seals and treatments		Filtration rating		Axx	Mxx	Pxx					
A NBR				•	•	•					
V FPM				•	•	•					
W NBR head anodized		filter element compatible with fluids HFA-HFB-HFC		•	•	-					
Z FPM head anodized				•	•	-					
Connections											
G1 G 3/8"		G6 3/4" NPT									
G2 G 1/2"		G7 SAE 6 - 9/16" - 18 UNF									
G3 G 3/4"		G8 SAE 8 - 3/4" - 16 UNF									
G4 3/8" NPT		G9 SAE 12 - 1 1/16" - 12 UN									
G5 1/2" NPT											
Filtration rating (filter media)											
A03 Inorganic microfiber 3 µm		M25 Wire mesh 25 µm									
A06 Inorganic microfiber 6 µm		M60 Wire mesh 60 µm									
A10 Inorganic microfiber 10 µm		M90 Wire mesh 90 µm									
A16 Inorganic microfiber 16 µm		P10 Resin impregnated paper 10 µm									
A25 Inorganic microfiber 25 µm		P25 Resin impregnated paper 25 µm									

All filter media except M60, P10 and P25 are compatible with fluids HFA, HFB and HFC

Bypass valve	Execution
E 3 bar	P01 MP Filtri standard
B 1.75 bar	Pxx Customized

FILTER ELEMENT

Element series and size		Configuration example 1:		MF020	1	A10	H	B	E	P01
MF020 Filter element with standard spigot		Configuration example 2:		MF020	3	A03	N	B		P01
Element length										
1 2 3										
Filtration rating (filter media)										
A03 Inorganic microfiber 3 µm		M25 Wire mesh 25 µm								
A06 Inorganic microfiber 6 µm		M60 Wire mesh 60 µm								
A10 Inorganic microfiber 10 µm		M90 Wire mesh 90 µm								
A16 Inorganic microfiber 16 µm		P10 Resin impregnated paper 10 µm								
A25 Inorganic microfiber 25 µm		P25 Resin impregnated paper 25 µm								
Element Δp		Filter media		Axx	Mxx	Pxx				
N 10 bar				-	•	•				
H 10 bar				•	-	-				
Seals		Bypass valve		Execution						
B NBR		E 3 bar		P01 MP Filtri standard						
V FPM		- 1.75 bar		Pxx Customized						

CLOGGING INDICATORS

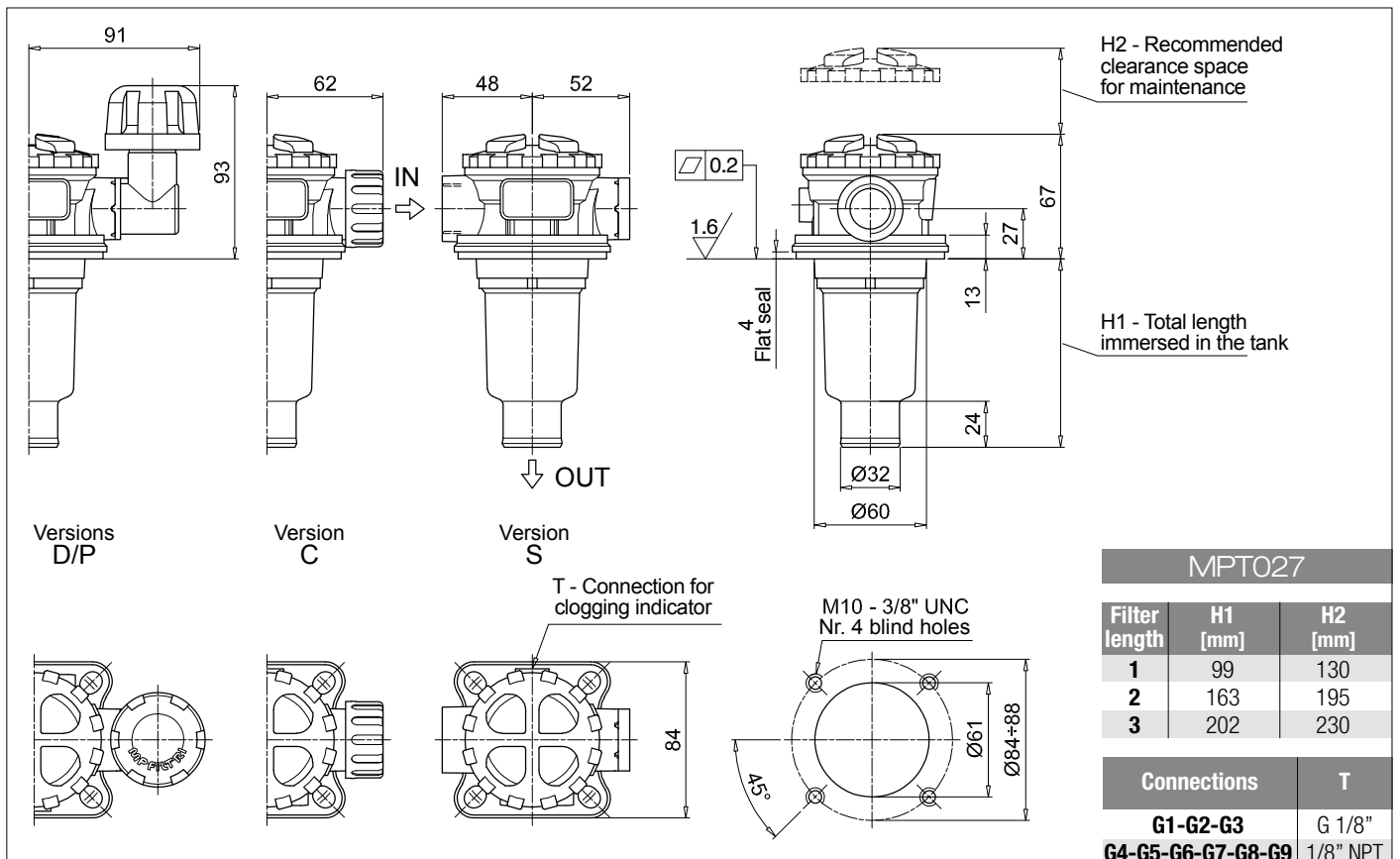
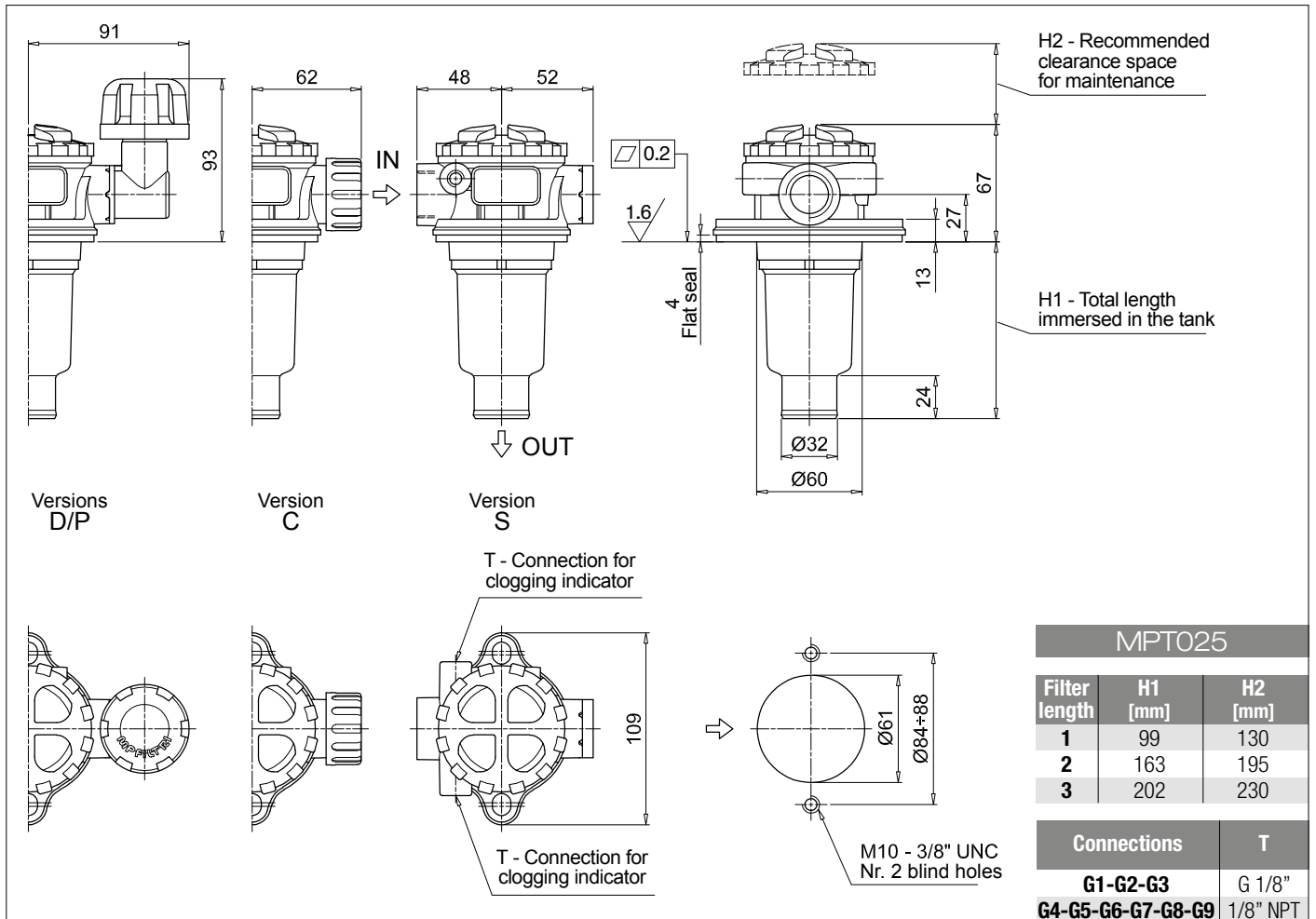
See page 680-681

BVA Axial pressure gauge	BEA Electrical pressure indicator
BVR Radial pressure gauge	BEM Electrical pressure indicator
BVP Visual pressure indicator with automatic reset	BLA Electrical / visual pressure indicator
BVQ Visual pressure indicator with manual reset	

ADDITIONAL FEATURES

See page 262

TE Extension tube
DPT Dipstick



Designation & Ordering code

COMPLETE FILTER

Series and size			Configuration example 1: MPT110 1 S A G1 0 A06 E P01																		
MPT110 Filter element with standard spigot			Configuration example 2: MPT110 3 P V G4 1 M25 B P01																		
Length																					
1 2 3 4																					
Air breather																					
S Without air breather																					
C With air breather 10 µm																					
D With anti-splash and air breather SAP050 10 µm																					
P With anti-splash and air breather SAP050 10 µm, pressurization 0.5 bar																					
Seals and treatments			Filtration rating																		
			Axx	Mxx	Pxx																
A NBR			•	•	•																
V FPM			•	•	•																
W NBR head anodized			•	•	-																
Z FPM head anodized			•	•	-																
			filter element compatible with fluids HFA-HFB-HFC																		
Main Connections			Aux size 1			Aux size 2			Main Connections			Aux size 1			Aux size 2						
G1 G 3/4"			G 3/8"			G 1/2"			G6 1 1/4" NPT			3/8" NPT			1/2" NPT						
G2 G 1"									G7 SAE 12 - 1 1/16" - 12 UN			SAE 6 - 9/16" - 18 UNF			SAE 8 - 3/4" - 16 UNF						
G3 G 1 1/4"									G8 SAE 16 - 1 5/16" - 12 UN												
G4 3/4" NPT			3/8" NPT			1/2" NPT			G9 SAE 20 - 1 5/8" - 12 UN												
G5 1" NPT																					
Aux connection - see previous table																					
0 Not machined			1 Aux size 1		2 Aux size 2											Bypass valve			Execution		
																E 3 bar			P01 MP Filtri standard		
																B 1.75 bar			Pxx Customized		
Filtration rating (filter media)																					
A03 Inorganic microfiber 3 µm			M25 Wire mesh 25 µm																		
A06 Inorganic microfiber 6 µm			M60 Wire mesh 60 µm																		
A10 Inorganic microfiber 10 µm			M90 Wire mesh 90 µm																		
A16 Inorganic microfiber 16 µm			P10 Resin impregnated paper 10 µm																		
A25 Inorganic microfiber 25 µm			P25 Resin impregnated paper 25 µm																		

All filter media except M60, P10 and P25 are compatible with fluids HFA, HFB and HFC

FILTER ELEMENT

Element series and size			Configuration example 1: MF100 1 A06 H B E P01											
MF100 Filter element with standard spigot			Configuration example 2: MF100 3 M25 N V P01											
Element length														
1 2 3 4														
Filtration rating (filter media)														
A03 Inorganic microfiber 3 µm			M25 Wire mesh 25 µm											
A06 Inorganic microfiber 6 µm			M60 Wire mesh 60 µm											
A10 Inorganic microfiber 10 µm			M90 Wire mesh 90 µm											
A16 Inorganic microfiber 16 µm			P10 Resin impregnated paper 10 µm											
A25 Inorganic microfiber 25 µm			P25 Resin impregnated paper 25 µm											
Element Δp			Filter media			Seals			Bypass valve			Execution		
			Axx	Mxx	Pxx									
N 10 bar			-	•	•	B NBR			E 3 bar			P01 MP Filtri standard		
H 10 bar			•	-	-	V FPM			- 1.75 bar			Pxx Customized		

CLOGGING INDICATORS

See page 680-681

BVA Axial pressure gauge	BEA Electrical pressure indicator
BVR Radial pressure gauge	BEM Electrical pressure indicator
BVP Visual pressure indicator with automatic reset	BLA Electrical / visual pressure indicator
BVQ Visual pressure indicator with manual reset	

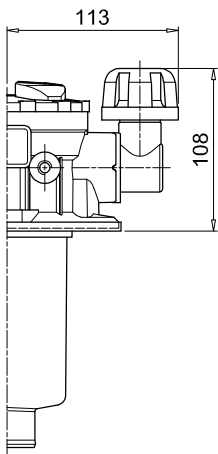
ADDITIONAL FEATURES

See page 262

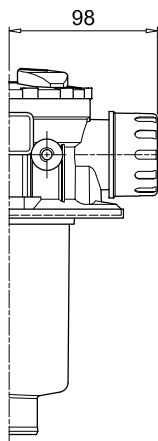
TE Extension tube	DPT Dipstick
DFS Diffuser with fast lock connection	

MPT110				
Filter length	H1 [mm]	H2 [mm]	D [mm]	I [mm]
1	97	120	38	4
2	144	170	38	4
3	222	250	47	-
4	324	350	47	2.5

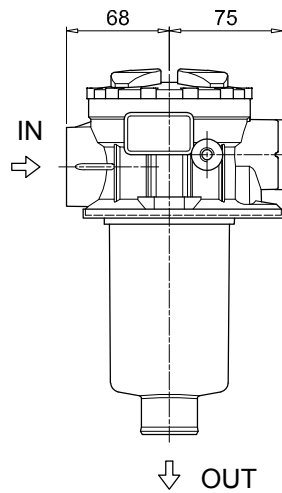
Connections	T
G1-G2-G3	G 1/8"
G4-G5-G6-G7-G8-G9	1/8" NPT



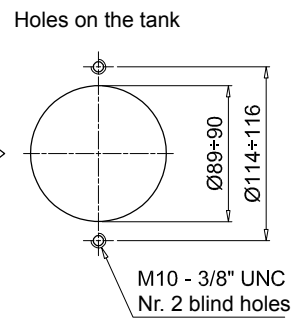
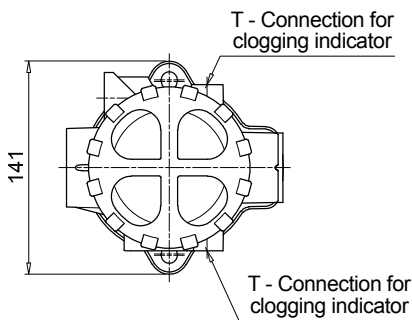
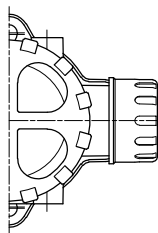
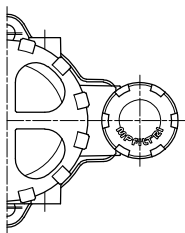
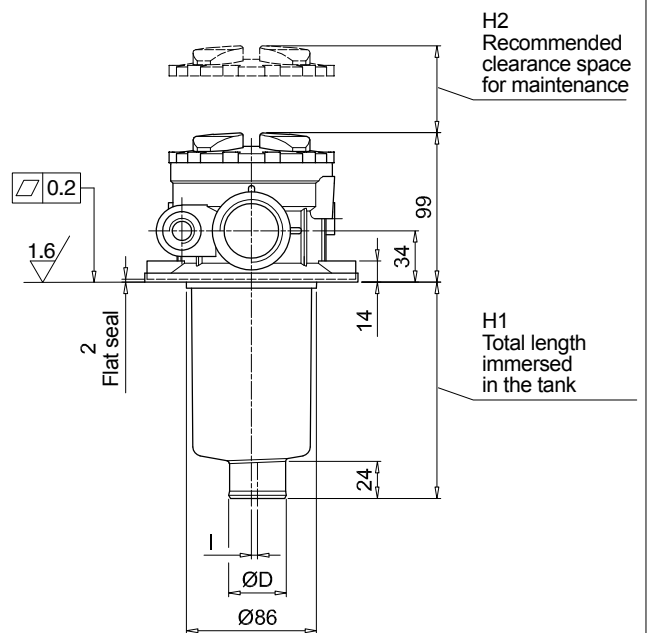
Versions D/P



Version C



Version S



Designation & Ordering code

COMPLETE FILTER

Series and size	Configuration example 1:	MPT114	4	S	A	G3	A10	E	P01
MPT114 Filter element with standard spigot	Configuration example 2:	MPT114	3	C	W	G6	A03	B	P01

Length	
1 2 3 4	

Air breather	
S Without air breather	
C With air breather 10 µm	
D With anti-splash and air breather SAP050 10 µm	
P With anti-splash and air breather SAP050 10 µm pressurization 0.5 bar	

Seals and treatments		Filtration rating	
A NBR		Axx	Mxx
V FPM			Pxx
W NBR head anodized	filter element compatible with fluids HFA-HFB-HFC		
Z FPM head anodized			

Connections	
G1 G 3/4"	G6 1 1/4" NPT
G2 G 1"	G7 SAE 12 - 1 1/16" - 12 UN
G3 G 1 1/4"	G8 SAE 16 - 1 5/16" - 12 UN
G4 3/4" NPT	G9 SAE 20 - 1 5/8" - 12 UN
G5 1" NPT	

Filtration rating (filter media)	
A03 Inorganic microfiber 3 µm	M25 Wire mesh 25 µm
A06 Inorganic microfiber 6 µm	M60 Wire mesh 60 µm
A10 Inorganic microfiber 10 µm	M90 Wire mesh 90 µm
A16 Inorganic microfiber 16 µm	P10 Resin impregnated paper 10 µm
A25 Inorganic microfiber 25 µm	P25 Resin impregnated paper 25 µm

All filter media except M60, P10 and P25 are compatible with fluids HFA, HFB and HFC

Bypass valve	Execution
E 3 bar	P01 MP Filtri standard
B 1.75 bar	Pxx Customized

FILTER ELEMENT

Element series and size	Configuration example 2:	MF100	4	A10	H	B	E	P01
MF100 Filter element with standard spigot	Configuration example 1:	MF100	3	A03	N	B		P01

Element length	
1 2 3 4	

Filtration rating (filter media)	
A03 Inorganic microfiber 3 µm	M25 Wire mesh 25 µm
A06 Inorganic microfiber 6 µm	M60 Wire mesh 60 µm
A10 Inorganic microfiber 10 µm	M90 Wire mesh 90 µm
A16 Inorganic microfiber 16 µm	P10 Resin impregnated paper 10 µm
A25 Inorganic microfiber 25 µm	P25 Resin impregnated paper 25 µm

Element Δp		Filter media	
N 10 bar		Axx	Mxx
H 10 bar			Pxx

Seals	Bypass valve	Execution
B NBR	E 3 bar	P01 MP Filtri standard
V FPM	- 1.75 bar	Pxx Customized

CLOGGING INDICATORS

See page 680-681

BVA Axial pressure gauge	BEA Electrical pressure indicator
BVR Radial pressure gauge	BEM Electrical pressure indicator
BVP Visual pressure indicator with automatic reset	BLA Electrical / visual pressure indicator
BVQ Visual pressure indicator with manual reset	

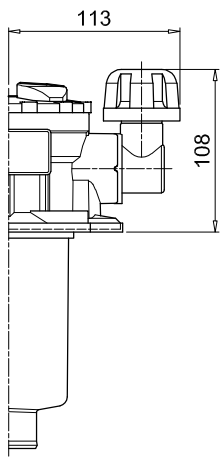
ADDITIONAL FEATURES

See page 262

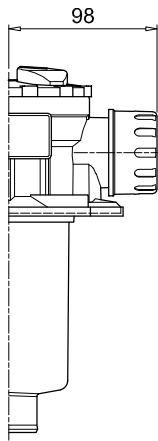
TE Extension tube	DPT Dipstick
DFS Diffuser with fast lock connection	

MPT114				
Filter length	H1 [mm]	H2 [mm]	D [mm]	I [mm]
1	97	120	38	4
2	144	170	38	4
3	222	250	47	-
4	324	350	47	2.5

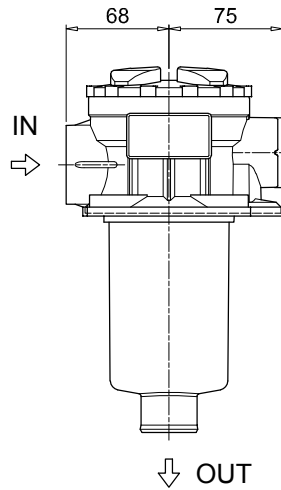
Connections	T
G1-G2-G3	G 1/8"
G4-G5-G6-G7-G8-G9	1/8" NPT



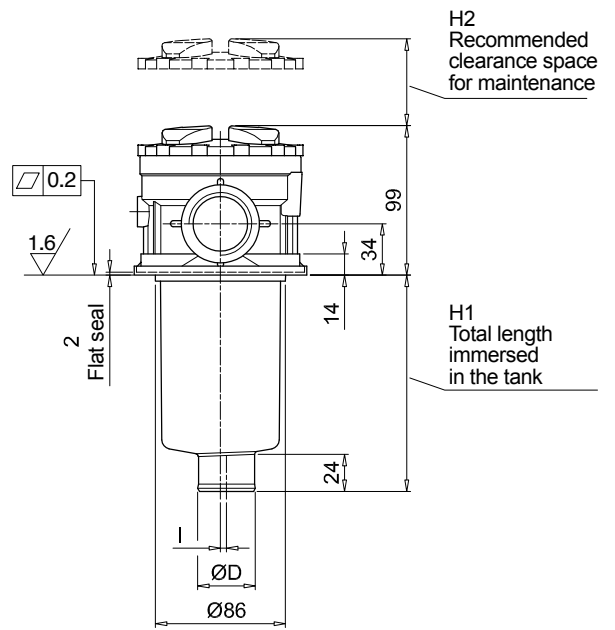
Versions D/P



Version C

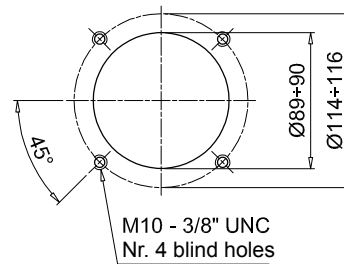
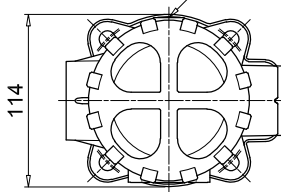
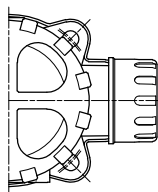
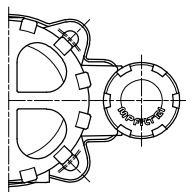


Version S



T - Connection for clogging indicator

Holes on the tank



Designation & Ordering code

COMPLETE FILTER

Series and size	Configuration example 1:	MPT116	1	S	A	G1	M90	E	P01
MPT116 Filter element with standard spigot	Configuration example 2:	MPT116	2	S	Z	G9	A03	B	P01

Length	1	2	3	4
---------------	---	---	---	---

Air breather	S Without air breather
---------------------	------------------------

Seals and treatments	Filtration rating		
	Axx	Mxx	Pxx
A NBR	•	•	•
V FPM	•	•	•
W NBR head anodized	•	•	-
Z FPM head anodized	•	•	-

Flat seal on the head on request

Connections	G1 G 3/4"	G6 1 1/4" NPT
	G2 G 1"	G7 SAE 12 - 1 1/16" - 12 UN
	G3 G 1 1/4"	G8 SAE 16 - 1 5/16" - 12 UN
	G4 3/4" NPT	G9 SAE 20 - 1 5/8" - 12 UN
	G5 1" NPT	

Filtration rating (filter media)	A03 Inorganic microfiber 3 µm	M25 Wire mesh 25 µm
	A06 Inorganic microfiber 6 µm	M60 Wire mesh 60 µm
	A10 Inorganic microfiber 10 µm	M90 Wire mesh 90 µm
	A16 Inorganic microfiber 16 µm	P10 Resin impregnated paper 10 µm
	A25 Inorganic microfiber 25 µm	P25 Resin impregnated paper 25 µm

All filter media except M60, P10 and P25 are compatible with fluids HFA, HFB and HFC

Bypass valve	Execution
E 3 bar	P01 MP Filtri standard
B 1.75 bar	Pxx Customized

FILTER ELEMENT

Element series and size	Configuration example 2:	MF100	1	M90	N	B	E	P01
MF100 Filter element with standard spigot	Configuration example 1:	MF100	2	A03	H	V		P01

Element length	1	2	3	4
-----------------------	---	---	---	---

Filtration rating (filter media)	A03 Inorganic microfiber 3 µm	M25 Wire mesh 25 µm
	A06 Inorganic microfiber 6 µm	M60 Wire mesh 60 µm
	A10 Inorganic microfiber 10 µm	M90 Wire mesh 90 µm
	A16 Inorganic microfiber 16 µm	P10 Resin impregnated paper 10 µm
	A25 Inorganic microfiber 25 µm	P25 Resin impregnated paper 25 µm

Element Δp	Filter media		
	Axx	Mxx	Pxx
N 10 bar	-	•	•
H 10 bar	•	-	-

Seals	Bypass valve	Execution
B NBR	E 3 bar	P01 MP Filtri standard
V FPM	- 1.75 bar	Pxx Customized

CLOGGING INDICATORS

See page 680-681

BVA Axial pressure gauge	BEA Electrical pressure indicator
BVR Radial pressure gauge	BEM Electrical pressure indicator
BVP Visual pressure indicator with automatic reset	BLA Electrical / visual pressure indicator
BVQ Visual pressure indicator with manual reset	

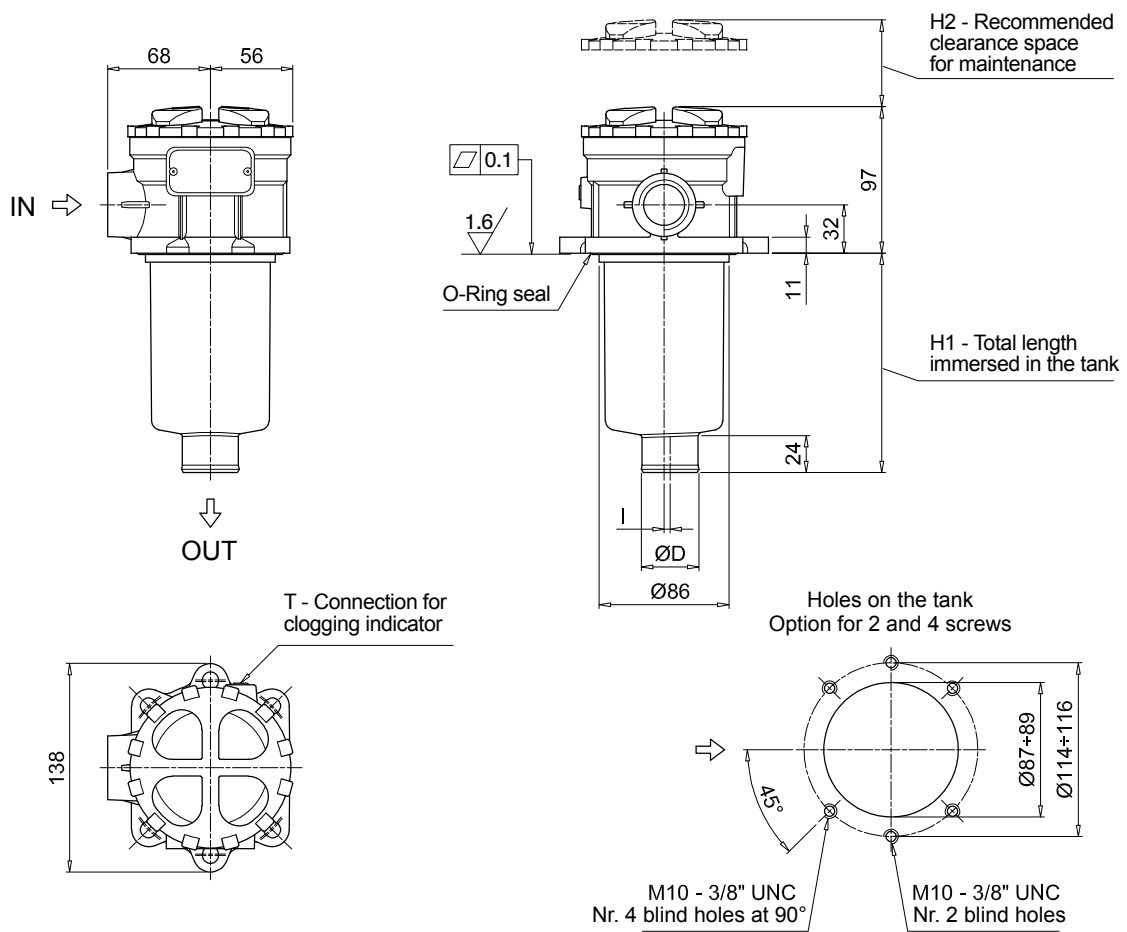
ADDITIONAL FEATURES

See page 262

TE Extension tube	DPT Dipstick
DFS Diffuser with fast lock connection	

MPT116				
Filter length	H1 [mm]	H2 [mm]	D [mm]	I [mm]
1	99	120	38	4
2	146	170	38	4
3	224	250	47	-
4	326	350	47	2.5

Connections	T
G1-G2-G3	G 1/8"
G4-G5-G6-G7-G8-G9	1/8" NPT



Designation & Ordering code

COMPLETE FILTER

Series and size	Configuration example 1:	MPT120	1	A	G1	0	A06	E	P01
MPT120 Filter element with standard spigot	Configuration example 2:	MPT120	3	V	G4	1	M25	B	P01

Length	1	2	3	4
---------------	---	---	---	---

Seals and treatments	Filtration rating		
	Axx	Mxx	Pxx
A NBR	•	•	•
V FPM	•	•	•
W NBR head anodized	•	•	-
Z FPM head anodized	•	•	-

Main Connections	Rear connections	Aux size 1	Aux size 2
G1 G 3/4"	G 3/4"	G 3/8"	G 1/2"
G2 G 1"	G 1"		
G3 G 1 1/4"	G 3/4"		
G4 3/4" NPT	3/4" NPT	3/8" NPT	1/2" NPT
G5 1" NPT	1" NPT		
G6 1 1/4" NPT	3/4" NPT	SAE 6 - 9/16" - 18 UNF	SAE 8 - 3/4" - 16 UNF
G7 SAE 12 - 1 1/16" - 12 UN	SAE 12 - 1 1/16" - 12 UN		
G8 SAE 16 - 1 5/16" - 12 UN	SAE 16 - 1 5/16" - 12 UN		
G9 SAE 20 - 1 5/8" - 12 UN	SAE 12 - 1 1/16" - 12 UN		

Aux connection - see previous table	0 Not machined	1 Aux size 1	2 Aux size 2
--	----------------	--------------	--------------

Filtration rating (filter media)	
A03 Inorganic microfiber 3 µm	M25 Wire mesh 25 µm
A06 Inorganic microfiber 6 µm	M60 Wire mesh 60 µm
A10 Inorganic microfiber 10 µm	M90 Wire mesh 90 µm
A16 Inorganic microfiber 16 µm	P10 Resin impregnated paper 10 µm
A25 Inorganic microfiber 25 µm	P25 Resin impregnated paper 25 µm

All filter media except M60, P10 and P25 are compatible with fluids HFA, HFB and HFC

Bypass valve	Execution
E 3 bar	P01 MP Filtri standard
B 1.75 bar	Pxx Customized

FILTER ELEMENT

Element series and size	Configuration example 1:	MF100	1	A06	H	B	E	P01
MF100 Filter element with standard spigot	Configuration example 2:	MF100	3	M25	N	V		P01

Element length	1	2	3	4
-----------------------	---	---	---	---

Filtration rating (filter media)	
A03 Inorganic microfiber 3 µm	M25 Wire mesh 25 µm
A06 Inorganic microfiber 6 µm	M60 Wire mesh 60 µm
A10 Inorganic microfiber 10 µm	M90 Wire mesh 90 µm
A16 Inorganic microfiber 16 µm	P10 Resin impregnated paper 10 µm
A25 Inorganic microfiber 25 µm	P25 Resin impregnated paper 25 µm

Element Δp	Filter media		
	Axx	Mxx	Pxx
N 10 bar	-	•	•
H 10 bar	•	-	-

Seals	Bypass valve	Execution
B NBR	E 3 bar	P01 MP Filtri standard
V FPM	- 1.75 bar	Pxx Customized

CLOGGING INDICATORS

See page 680-681

BVA Axial pressure gauge	BEA Electrical pressure indicator
BVR Radial pressure gauge	BEM Electrical pressure indicator
BVP Visual pressure indicator with automatic reset	BLA Electrical / visual pressure indicator
BVQ Visual pressure indicator with manual reset	

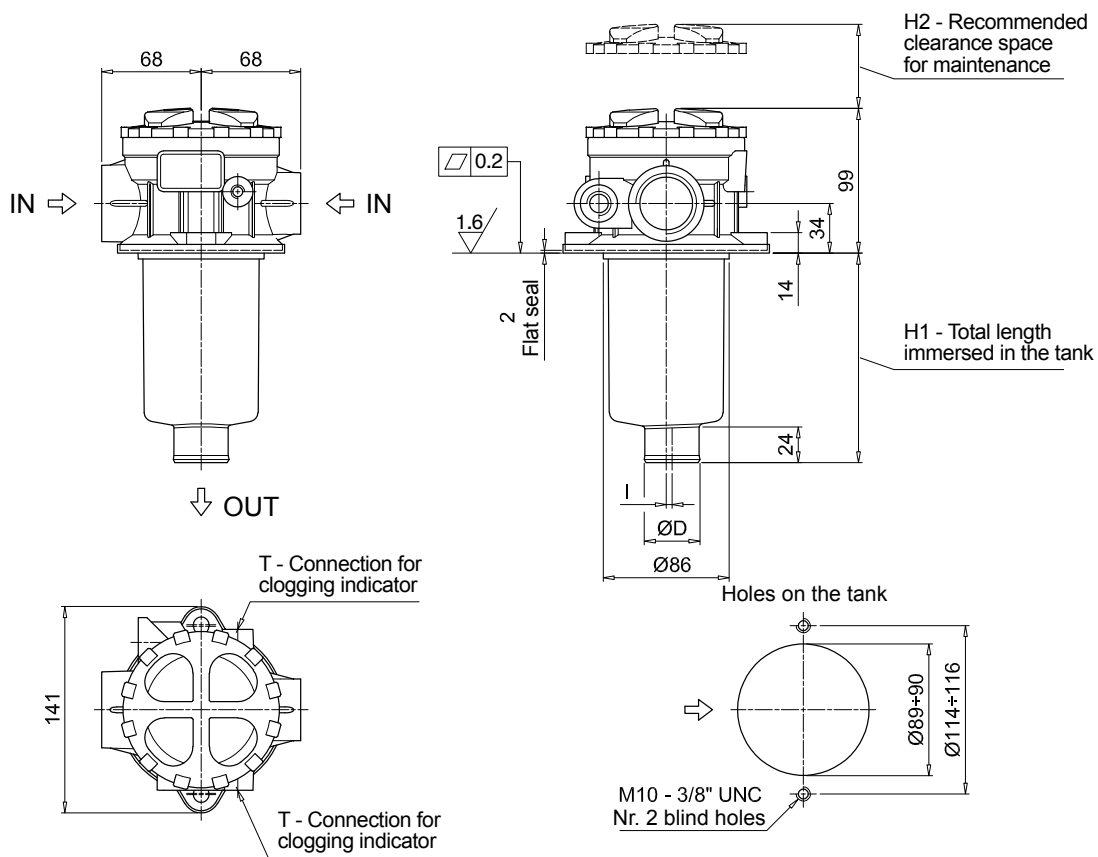
ADDITIONAL FEATURES

See page 262

TE Extension tube	DPT Dipstick
DFS Diffuser with fast lock connection	

MPT120				
Filter length	H1 [mm]	H2 [mm]	D [mm]	I [mm]
1	97	120	38	4
2	147	170	38	4
3	222	250	47	-
4	324	350	47	2.5

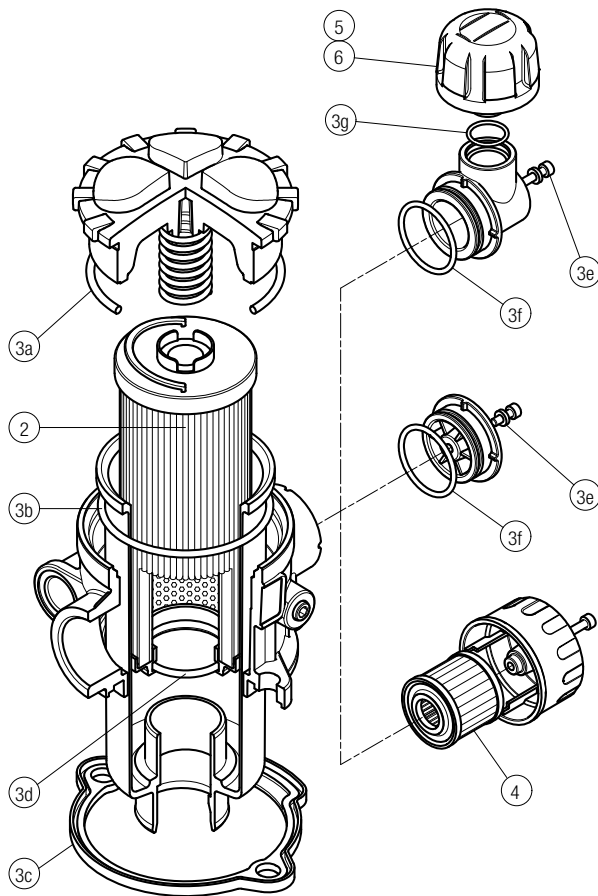
Connections	T
G1-G2-G3	G 1/8"
G4-G5-G6-G7-G8-G9	1/8" NPT



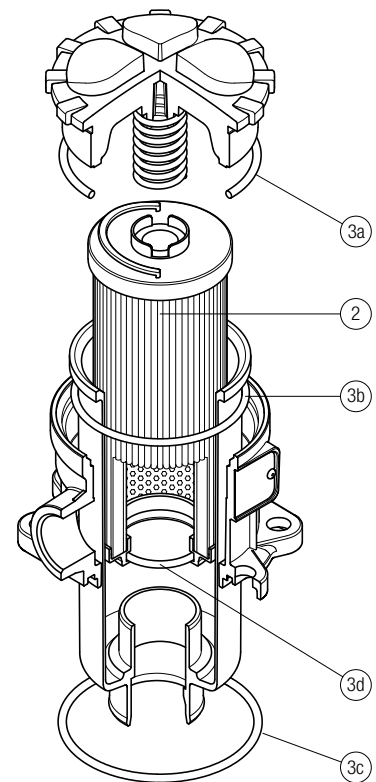
MPT SPARE PARTS

Order number for spare parts

MPT 025 - 027 - 110



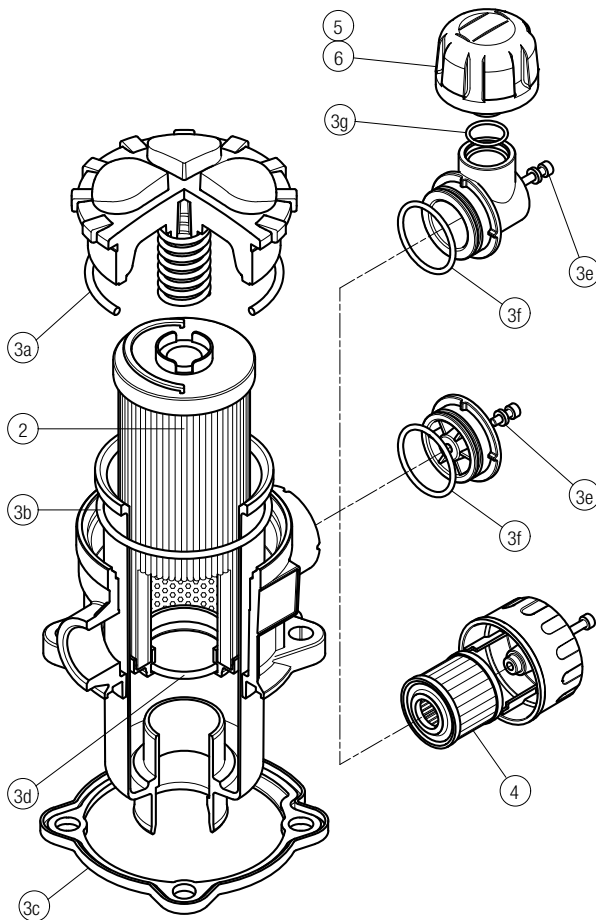
MPT 116



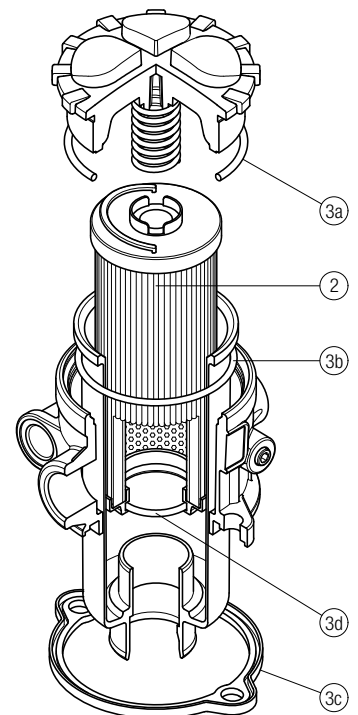
Item:	Q.ty: 1 pc.	Q.ty: 1 pc.	Q.ty: 1 pc.	Q.ty: 1 pc.	Q.ty: 1 pc.	
Filter series	Filter element	Seal Kit code number		C	D	P
		NBR	FPM			
MPT 025	See order table	02050557	02050558	10 µm A3L03	10 µm SAP50G3L03A0P01	10 µm SAP50G3L03A1P01
MPT 027		02050559	02050560	10 µm A3L03	10 µm SAP50G3L03A0P01	10 µm SAP50G3L03A1P01
MPT 110		02050561	02050562	10 µm A5L03	10 µm SAP50G3L03A0P01	10 µm SAP50G3L03A1P01

Item:	Q.ty: 1 pc.	Q.ty: 1 pc.	
Filter series	Filter element	Seal Kit code number	
		NBR	FPM
MPT 116	See order table	02050466	02050467

MPT 114



MPT 120



Item:	Q.ty: 1 pc.	Q.ty: 1 pc.	Q.ty: 1 pc.	Q.ty: 1 pc.	Q.ty: 1 pc.	
Filter series	Filter element	Seal Kit code number	Air breather filter element - version:			
		NBR	FPM	C	D	P
MPT 114	See order table	02050580	02050581	10 µm A5L03	10 µm SAP50G3L03A0P01	10 µm SAP50G3L03A1P01

Item:	Q.ty: 1 pc.	Q.ty: 1 pc.	
Filter series	Filter element	Seal Kit code number	
		NBR	FPM
MPT 120	See order table	02050563	02050564

Accessories

POLYAMIDE EXTENSION TUBE

H1 - Total length immersed in the tank

Configuration example: **TE** **40** **A** **250**

Series	Size	Material	Length	H [mm]
TE			200	200
			250	250
			300	300
			350	350
			400	400
			450	450
			500	500

Size	Ø D [mm]
25	25
32	32
40	40

Material
A Polyamide

COMPATIBILITY TABLE															
Filter series	Filter size			Filter length	Tube length										
					TE25	TE32	TE40	200	250	300	350	400	450	500	
MPF - MPFX	30			1	•	-	-	266	316	366	416	466	516	566	
MPF	100	104	110	1	-	•	-	275	325	375	425	475	525	575	
				2	-	-	-	322	372	422	472	522	572	622	
				3	-	-	•	400	450	500	550	600	650	700	
				4	-	-	-	502	552	602	652	702	752	802	
MPFX	100	104	110	1	-	-	•	277	327	377	427	477	527	577	
				2	-	-	-	322	372	422	472	522	572	622	
				3	-	-	•	400	450	500	550	600	650	700	
				4	-	-	-	502	552	602	652	702	752	802	
MPF MPFX	181	182	184	1	-	-	•	410	460	510	560	610	660	710	
				2	-	-	-	623	673	723	773	823	873	923	
MPT MPTX	025		027		1	•	-	-	278	328	378	428	478	528	578
					2	-	-	-	342	392	442	492	542	592	642
					3	-	-	-	380	430	480	530	580	630	680
MPT	110	114	116	120	1	-	•	-	273	323	373	423	473	523	573
					2	-	-	-	320	370	420	470	520	570	620
					3	-	-	•	396	446	496	546	596	646	696
					4	-	-	-	498	548	598	648	698	748	798
MPTX	110	114	116	120	1	-	-	•	273	323	373	423	473	523	573
					2	-	-	-	318	368	418	468	518	568	618
					3	-	-	-	396	446	496	546	596	646	696
					4	-	-	-	498	548	598	648	698	748	798

STEEL EXTENSION TUBE

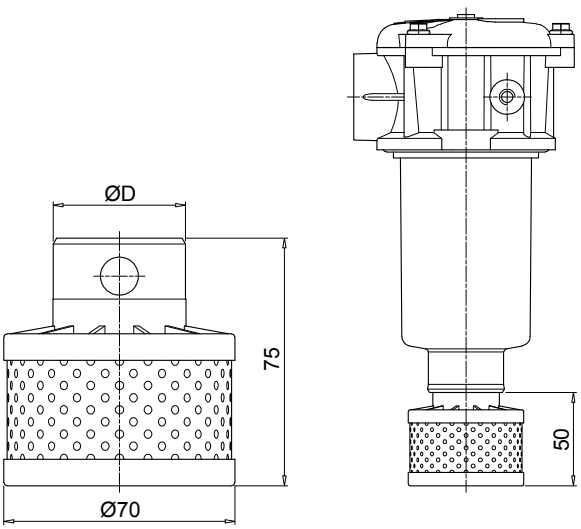
H1 - Total length immersed in the tank

Configuration example: **MPF191** **2** **A** **F1** **A10** **H** **B** **S60**

Length	H1 [mm]
S30	300
S35	350
S40	400
S45	450
S50	500
S60	600
S70	700
S80	800
S90	900

COMPATIBILITY TABLE							
Filter series	Filter size			Filter length	Ø D [mm]		
					52	65	
MPF	191	192	194	2	•	-	
				1	•	-	
	400	410	450	451	2	-	•
					3	-	•
	750				1	-	•

DIFFUSER WITH FAST LOCK CONNECTION

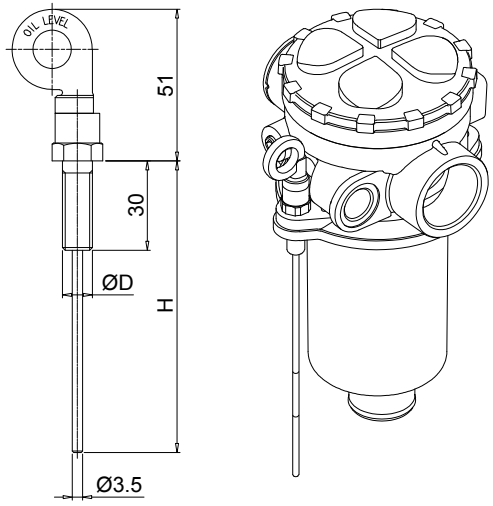


Configuration example: **DFS 32 A 075**

Series		DFS
Size	ø D [mm]	
32	32	
40	40	
Version		A Standard
Length		075 Standard

COMPATIBILITY TABLE							
Filter series	Filter size			Filter Length	DFS32	DFS40	
MPF	100	104	110	1	•	-	
				2	-	-	
				3	-	•	
				4	-	-	
MPFX	100	104	110	1	-	•	
				2	-	•	
				3	-	-	
				4	-	-	
MPT	110	114	116	120	1	•	-
					2	-	-
					3	-	•
					4	-	-
MPTX	110	114	116	120	1	-	•
					2	-	•
					3	-	-
					4	-	-

DIPSTICK



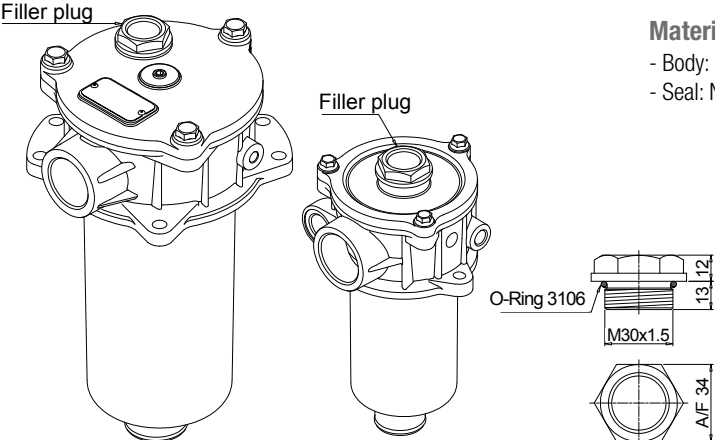
Configuration example: **DPT 20 M10 A P01**

Series		DPT
Length	H [mm]	
15	134	
20	184	
25	234	
30	284	
35	334	
Fastening		
M8	Fastening with screws ø D = M8	
M10	Fastening with screws ø D = M10	
Seals		
A	NBR	
V	FPM	
Execution		
P01	MP Filtri standard	
Pxx	Customized	

Materials
 - Screw: phosphatized steel
 - Stick: phosphatized steel
 - Handle: Polyamide

Technical data
 Working temperature: from -25 °C to +110 °C

FILLER PLUG



Configuration example: **DPT 20 M10 A P01**

Series		DPT
Length	H [mm]	
15	134	
20	184	
25	234	
30	284	
35	334	
Fastening		
M8	Fastening with screws ø D = M8	
M10	Fastening with screws ø D = M10	
Seals		
A	NBR	
V	FPM	
Execution		
P01	MP Filtri standard	
Pxx	Customized	

Materials
 - Body: Polyamide
 - Seal: NBR

Technical data
 Tightening torque: 15 N·m

O-Ring 3106 / M30x1.5 / 13 12 / A/F 34

For any further information, please, contact our commercial dept.