



THE X CONCEPT FOR OUR FILTERS

Protect the performance of your system with MYclean.
Quality and efficiency are fundamental for MP Filtri:
this exclusive new filter element possesses polygon shape geometry and specific seal
that ensures only original spare parts can be used - ensuring correct operation and
higher system reliability.

FMMX 050 series

with MYCLEAN HPX 050 Filter Element



- Protects the machine from improper use of non-original products.
- Safety of constant quality protection & reliability

With exclusive filter element you are sure that only MP Filtri filter elements can be used, ensuring the best cleaning level of the oil due to the use of originals filter elements.



The products identified as FMMX 050 are protected by:

- Italian Patent n° 102014902261205
- Canadian Patent n° 2,937,258
- European Patent n° 16181725.9
- US Patent n° 15/224,337

TOGETHER WITH MYCLEAN, AS OPTION, FMMX 050 SERIES CAN BE PROVIDED WITH

zerospark®
THE ANTI-STATIC FILTERS

THE Z CONCEPT FOR OUR FILTERS



Zerospark® is a specialist solution designed to solve the problem of electrostatic discharge inside hydraulic filters. Caused by the electrical charge build-up due to the passage of oil through the filters, this can result in damage to filter elements, oils and circuit components. It can even cause fire hazards in environments where flammable materials are present.

FMMX 050 series

Maximum working pressure up to 42 MPa (420 bar) - Flow rate up to 154 l/min



FMMX 050 GENERAL INFORMATION

Description

Technical data

High Pressure filters

In-line

Maximum working pressure up to 42 MPa (420 bar)

Flow rate up to 154 l/min

FMMX is a range of versatile high pressure filter for protection of sensitive components in high pressure hydraulic systems in the mobile machines.

They are directly connected to the lines of the system through the hydraulic fittings.

Available features:

- Female threaded connections up to 1 1/4", for a maximum flow rate of 250 l/min
- Fine filtration rating, to get a good cleanliness level into the system
- Bypass valve, to relieve excessive pressure drop across the filter media
- Low collapse filter element "N", for use with filters provided with bypass valve
- Visual, electrical and electronic differential clogging indicators
- MYclean interface connection for the filter element, to protect the product against non-original spare parts.
- External protective wrap, to optimize the flow through the element and to save the element efficiency against non-proper handling

Common applications:

- Agricultural machines
- Mobile machines

Filter housing materials

- Head: Painted cast iron, black RAL 9005
- Housing: Phosphatized steel
- Bypass valve: Steel

Pressure

- Test pressure: 63 MPa (630 bar)
- Burst pressure: 126 MPa (1260 bar)
- Pulse pressure fatigue test: 1 000 000 cycles with pressure from 0 to 42 MPa (420 bar)

Bypass valve

- Opening pressure 600 kPa (6 bar) $\pm 10\%$
- Other opening pressures on request.

Δp element type

- Microfiber filter elements - series N: 20 bar
- Wire mesh filter elements - series N: 20 bar
- Fluid flow through the filter element from OUT to IN

Seals

- Standard NBR series A
- Optional FPM series V

Temperature

From -25 °C to +110 °C

Connections

In-line Inlet/Outlet

Note

FMMX filters are provided for vertical mounting

Weights [kg] and volumes [dm³]

Filter series	Weights [kg]					Volumes [dm ³]						
	Length	1	2	3	4	5	Length	1	2	3	4	5
FMMX 050		3.11	3.48	3.90	4.36	5.54		0.34	0.48	0.63	0.81	1.23

Filter series	Length	Filter element design - N Series					
		A03	A06	A10	A16	A25	M25
FMMX 050	1	42	43	79	82	106	147
	2	52	57	85	96	121	149
	3	66	69	97	106	130	150
	4	83	89	113	115	134	152
	5	107	110	130	134	141	154

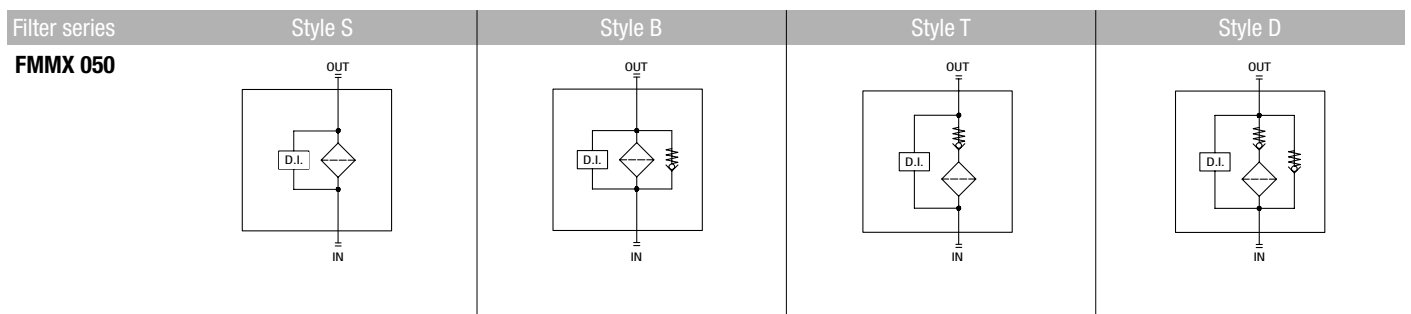
Maximum flow rate for a complete pressure filter with a pressure drop $\Delta p = 1.5$ bar.

The reference fluid has a kinematic viscosity of 30 mm²/s (cSt) and a density of 0.86 kg/dm³.

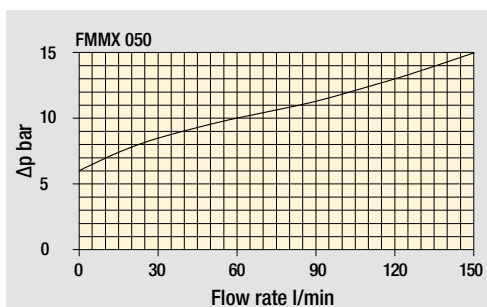
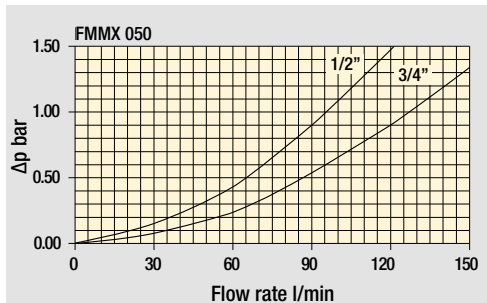
For different pressure drop or fluid viscosity we recommend to use our selection software available on www.mpfiltri.com.

You can also calculate the right size using the formulas present on the FILTER SIZING paragraph at the beginning of the full catalogue or at the beginning of the filter family brochure. Please, contact our Sales Department for further additional information.

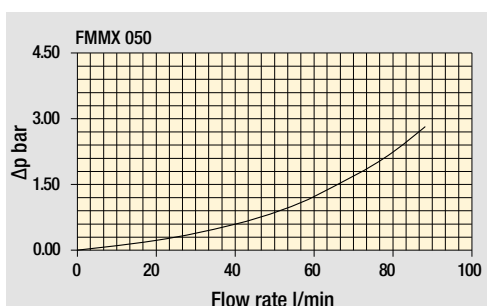
Hydraulic symbols



Pressure drop
Filter housings
 Δp pressure drop



Bypass valve
pressure drop



Filter housing
with check valve

Valves

The curves are plotted using mineral oil with density of 0.86 kg/dm³ in compliance with ISO 3968. Δp varies proportionally with density.

FMMX 050

Designation & Ordering code

COMPLETE FILTER

Series and size Configuration example: **FMMX050** | **3** | **B** | **A** | **G** | **A10** | **N** | **P01**

FMMX050 Filter featuring **MYCLEAN** Filter Element

Length
1 | **2** | **3** | **4** | **5**

Valves
B With bypass 6 bar
D With check valve, with bypass 6 bar

Seals
A NBR
V FPM

Connections
A M18x1.5 - ISO 6149 **E** 1/2" NPT
B M22x1.5 - ISO 6149 **F** 3/4" NPT
C G 1/2" **G** SAE 8 - 3/4" - 16 UNF
D G 3/4" **H** SAE 12 - 1 1/16" - 12 UN

Filtration rating (filter media)
A03 Inorganic microfiber 3 µm
A06 Inorganic microfiber 6 µm
A10 Inorganic microfiber 10 µm
A16 Inorganic microfiber 16 µm
A25 Inorganic microfiber 25 µm
M25 Wire mesh 25 µm

Element Δp
N 20 bar

Executions		
Base	zérospark ⁺	
P01	Z01	Upper connection for clogging indicator
P02	Z02	Without connection for clogging indicator
P03	Z03	Frontal connection for clogging indicator
Pxx	Zxx	Customized

FILTER ELEMENT

Element series and size Configuration example: **HPX050** | **3** | **A10** | **A** | **N** | **P01**

HPX050 Filter Element with **MYCLEAN** feature

Element length
1 | **2** | **3** | **4** | **5**

Filtration rating (filter media)
A03 Inorganic microfiber 3 µm
A06 Inorganic microfiber 6 µm
A10 Inorganic microfiber 10 µm
A16 Inorganic microfiber 16 µm
A25 Inorganic microfiber 25 µm
M25 Wire mesh 25 µm

Seals
A NBR
V FPM

Element Δp
N 20 bar

Executions		
Base	zérospark ⁺	
P01	Z01	MP Filtri standard
Pxx	Zxx	Customized

CLOGGING INDICATORS

See page 687

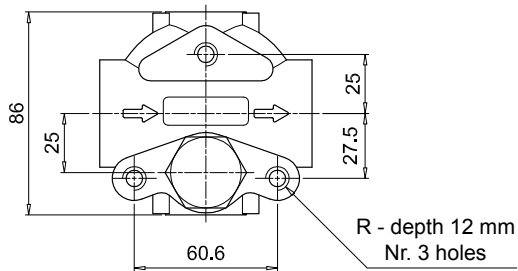
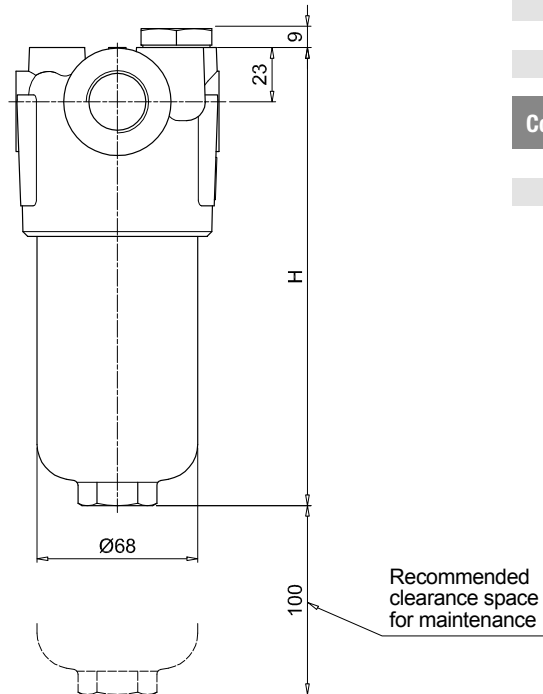
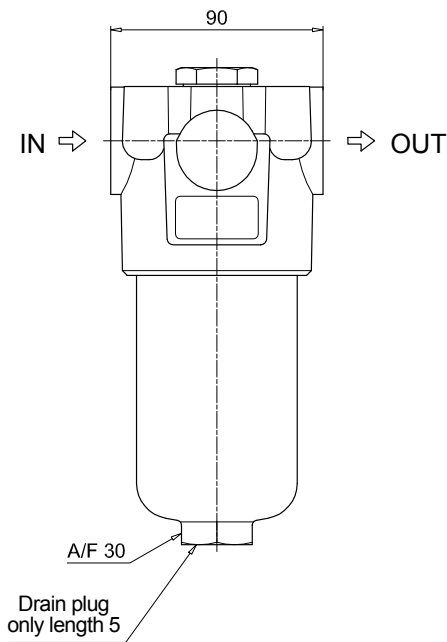
DEA Electrical differential indicator
DEM Electrical differential indicator
DLA Electrical / visual differential indicator
DLE Electrical / visual differential indicator

DTA Electrical differential indicator
DVA Visual differential indicator
DVM Visual differential indicator

PLUGS

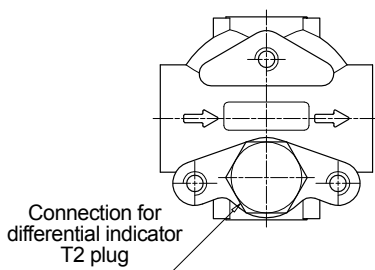
See page 706

T2 Differential indicator plug

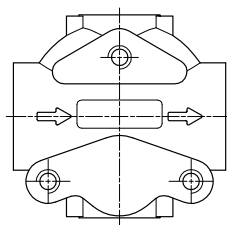


FMMX050	
Filter length	H [mm]
1	158
2	195
3	237
4	285
5	407
Connections	R
A-B-C-D	M10
E-F-G-H	3/8" UNC

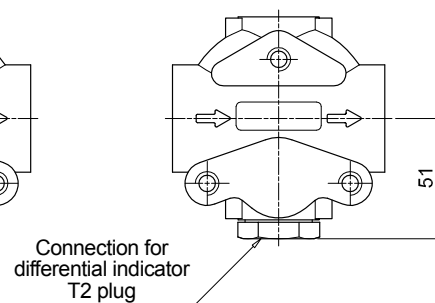
Execution P01



Execution P02



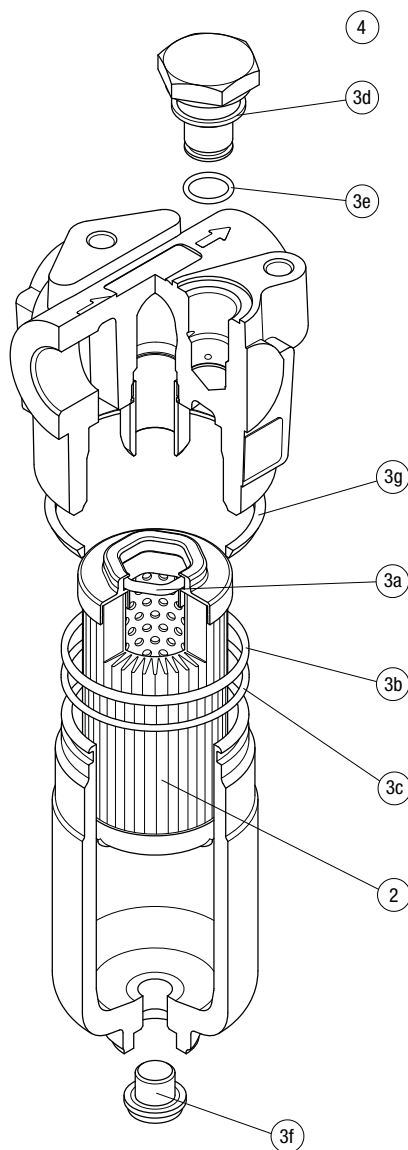
Execution P03



FMMX 050 SPARE PARTS

Order number for spare parts

FMMX 050



Item:	Q.ty: 1 pc.	Q.ty: 1 pc.		Q.ty: 1 pc.	
Filter series	Filter element	Seal Kit code number		Indicator connection plug	
FMMX 050	See order table	NBR	FPM	NBR	FPM
	2	3 (3a ÷ 3g)		4	
		02050864	02050865	T2H	T2V